

GB **COOKER HOOD** - User instructions

CZ **ODSAVAČ PAR** - Návod k použití

DK **EMHÆTTE** - Brugervejledning

FIN **LIESITUULETIN** - Käyttöohje

GR **ΑΠΟΡΡΟΦΗΤΗΡΑΣ ΣΕ ΕΚΔΟΣΗ ΑΠΟΡΡΟΦΗΣΗΣ** - Εγχειρίδιο χρήσης

H **ELSZÍVÓ KÜRTŐ** - Használati utasítás

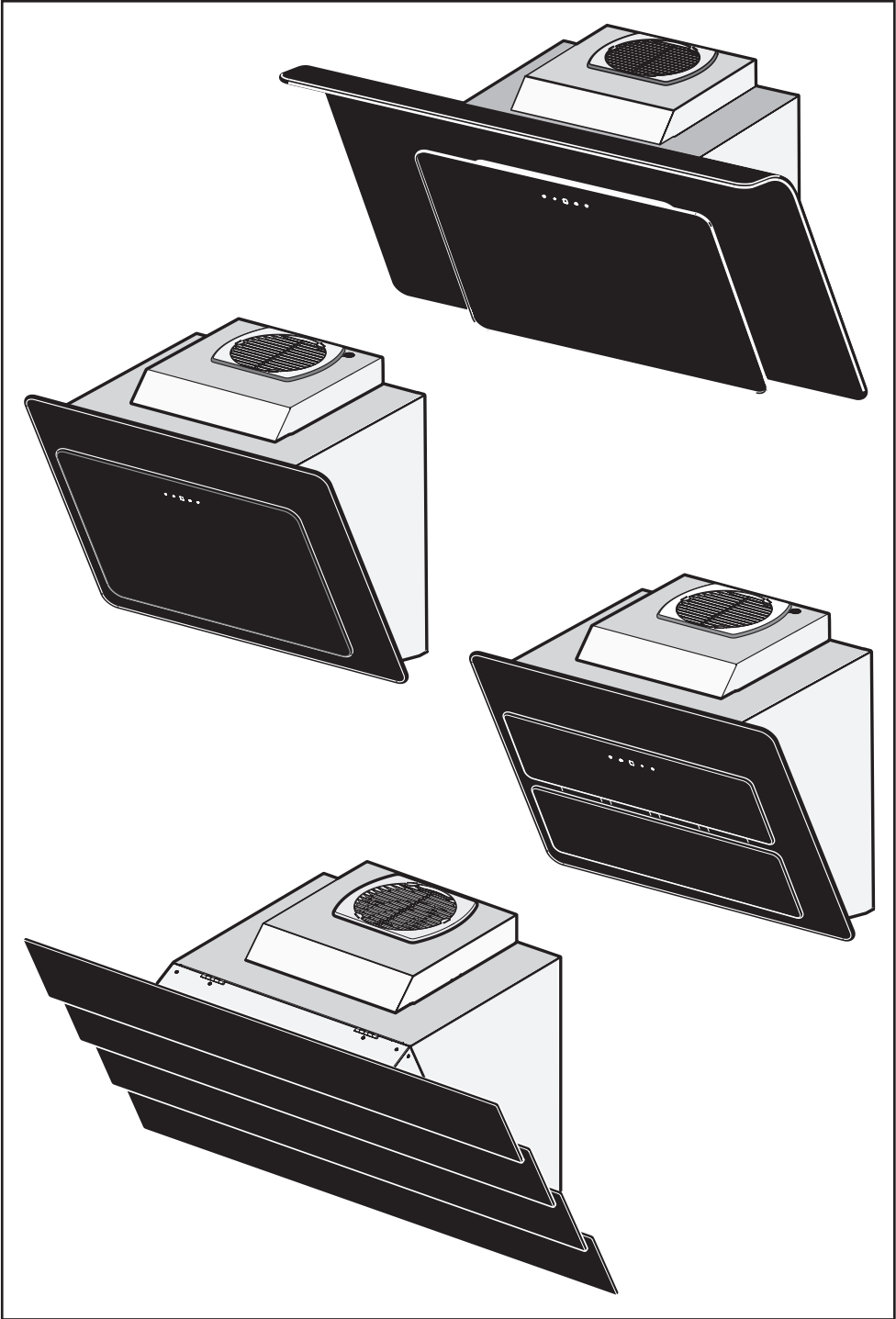
N **AVTREKKSAPPE** - Bruksanvisning

PL **OKAP ZASYSAJĄCY** - Instrukcja obsługi

R **НОТĂ АСПИРАНТĂ** - Manual de utilizare

RUS **ВЫТЯЖНОЙ КОЛПАК** - Руководство пользователя

S **SPISKÅPA** - Bruksanvisning



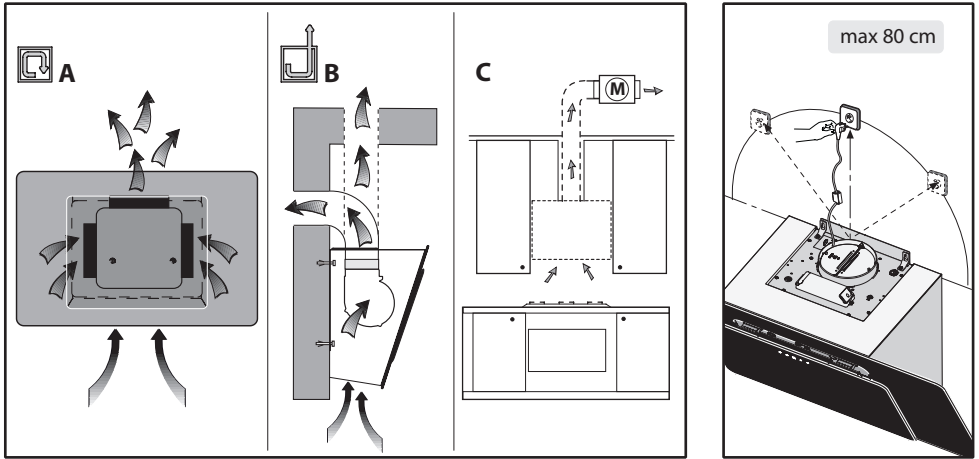


Fig.1

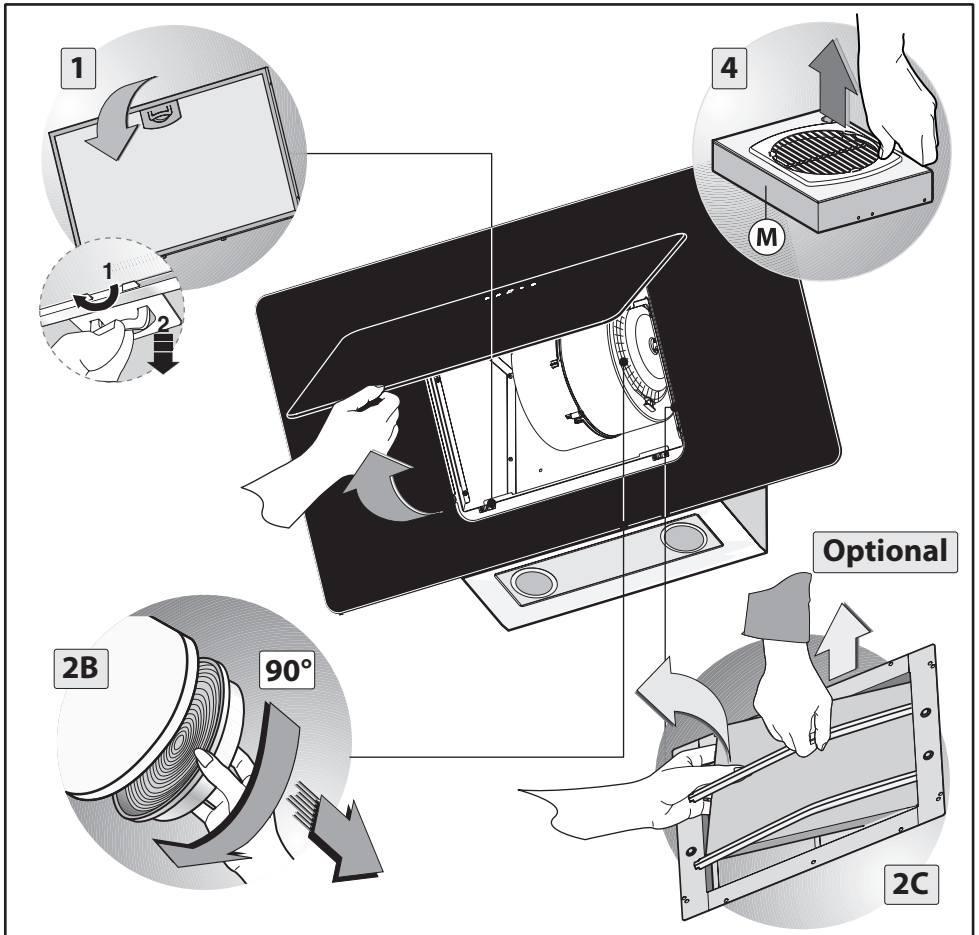


Fig.2

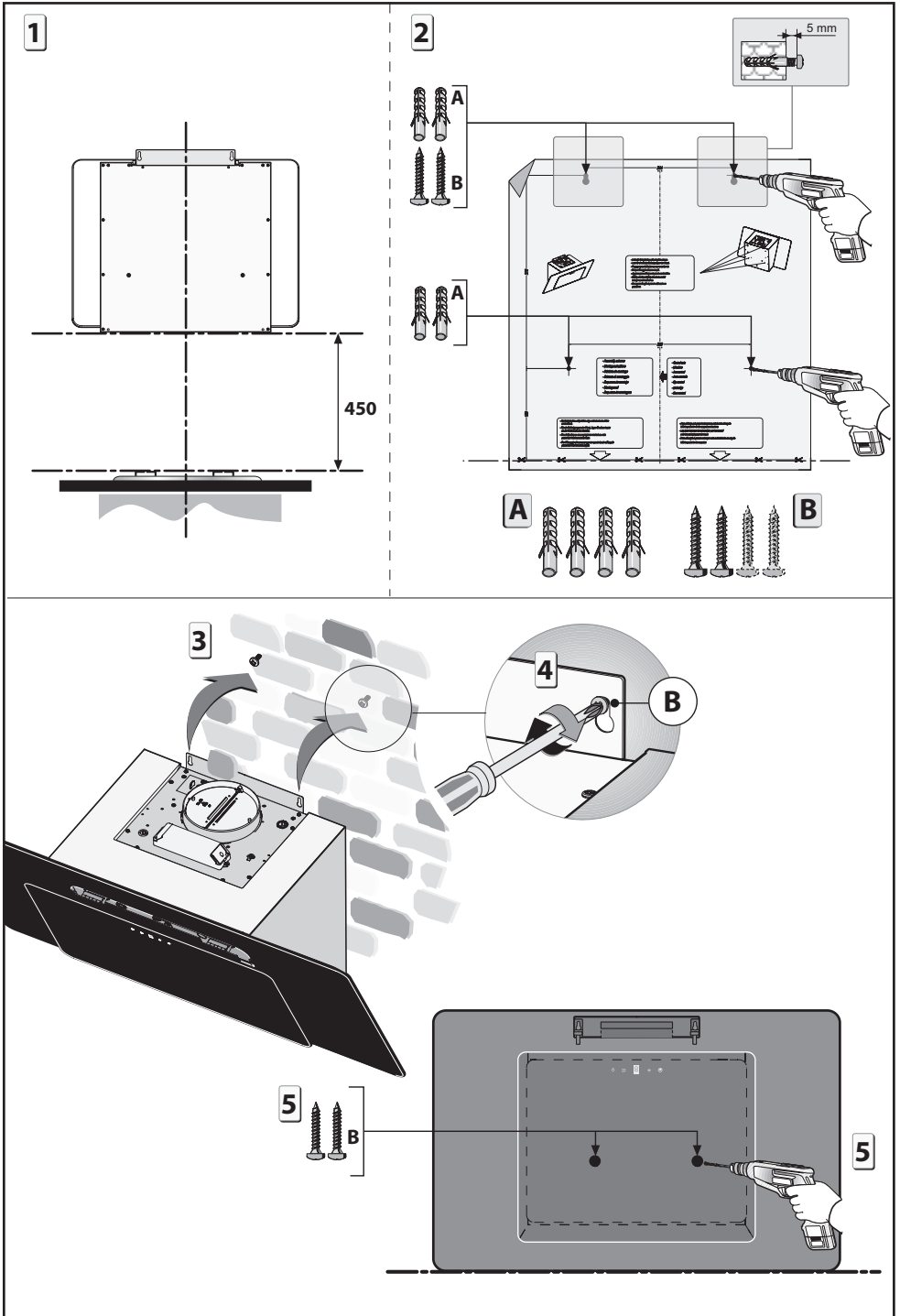


Fig.3

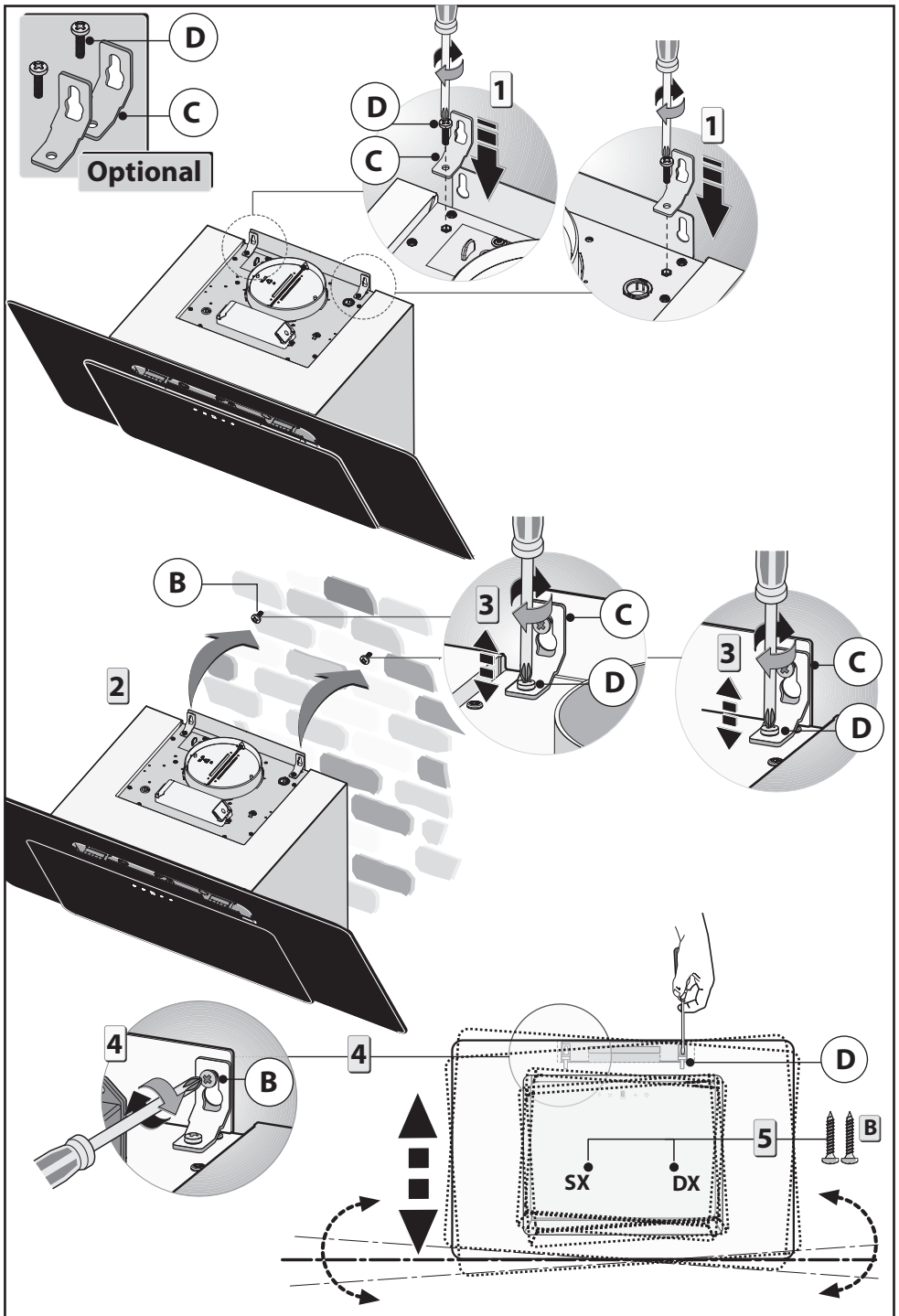


Fig.4

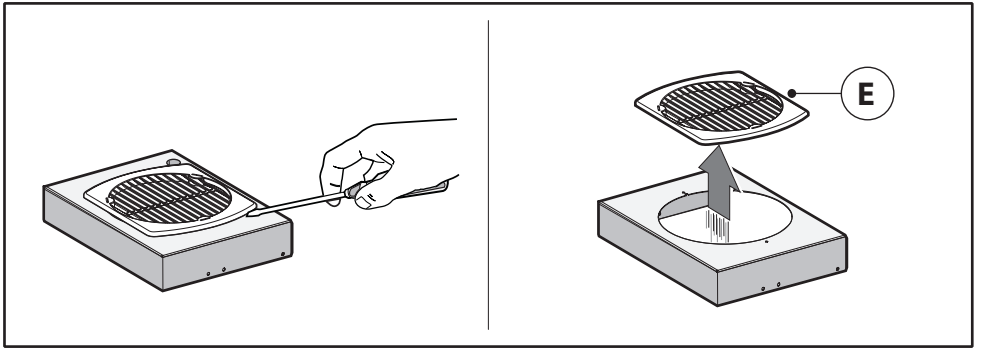


Fig.5

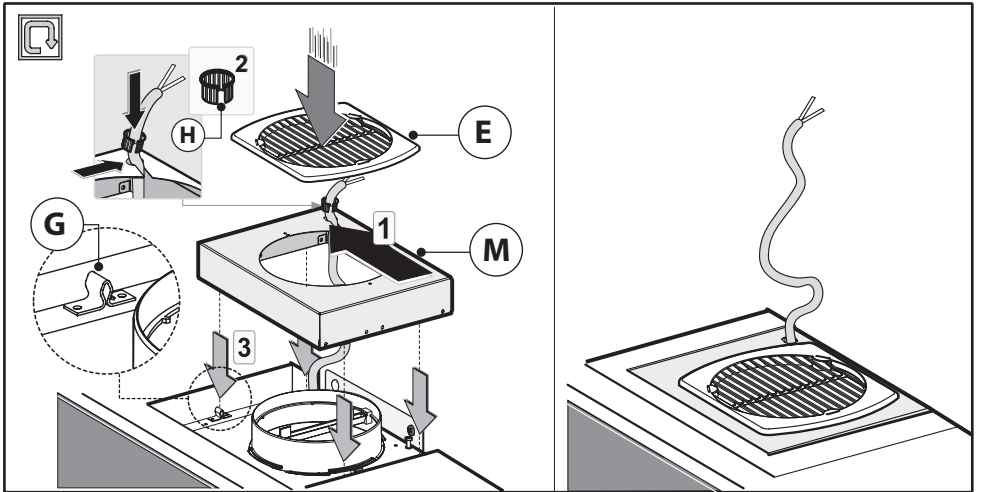


Fig.6

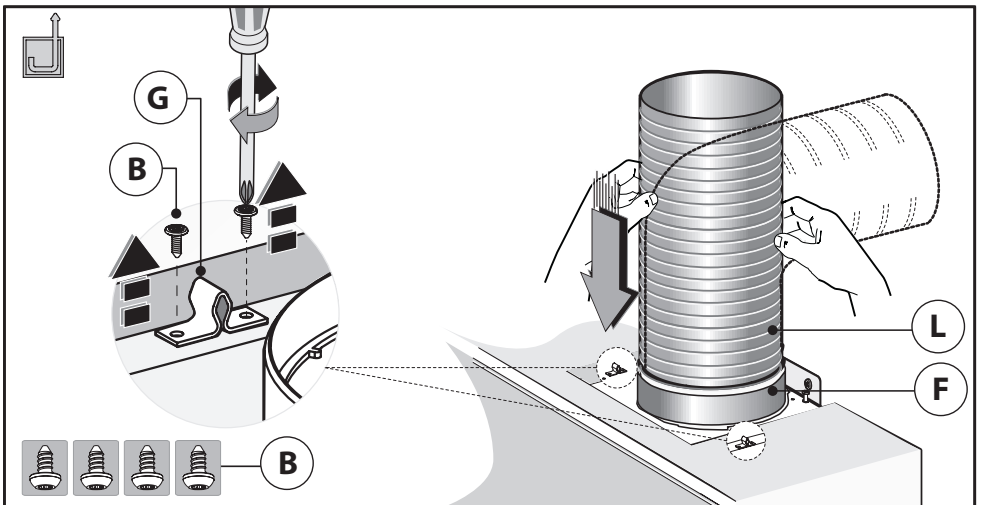


Fig.7

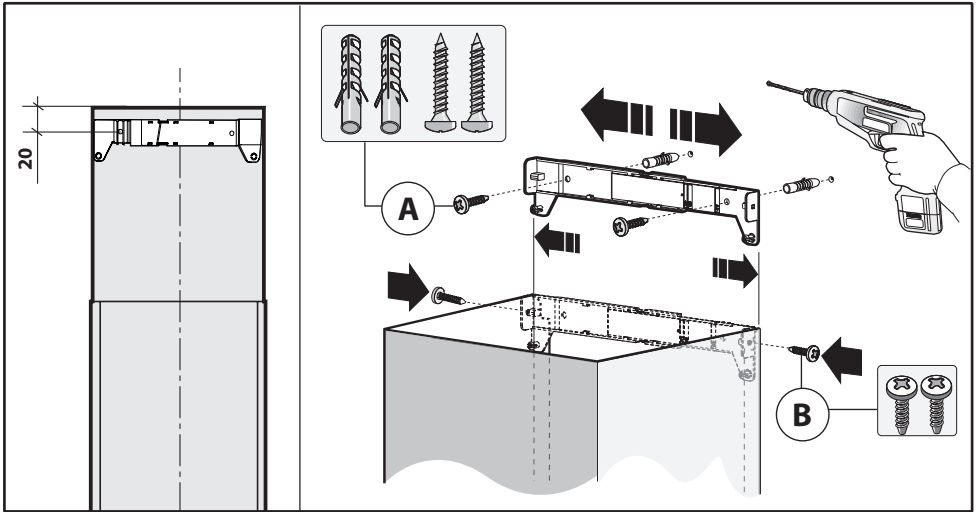


Fig.8

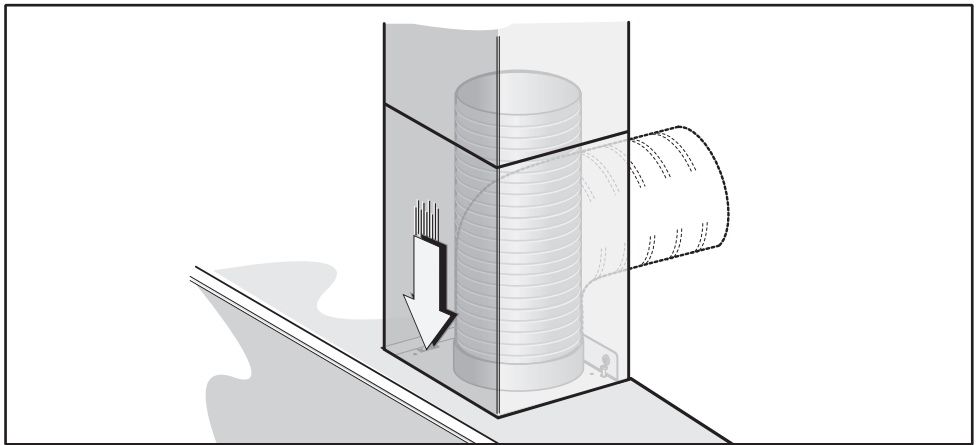


Fig.9

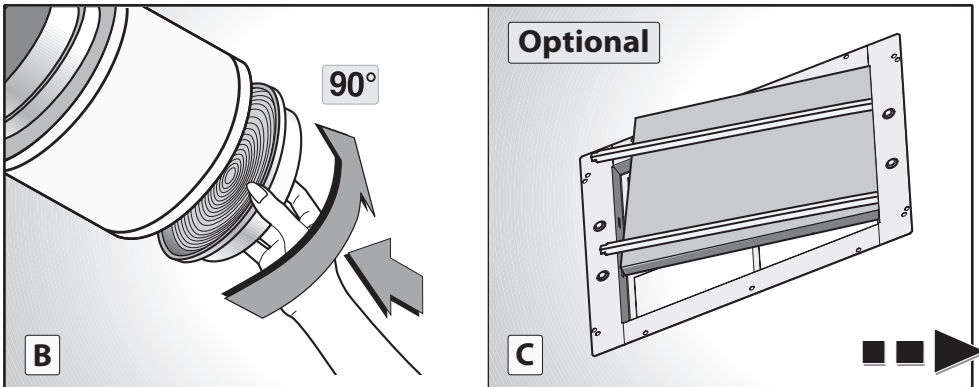


Fig.10

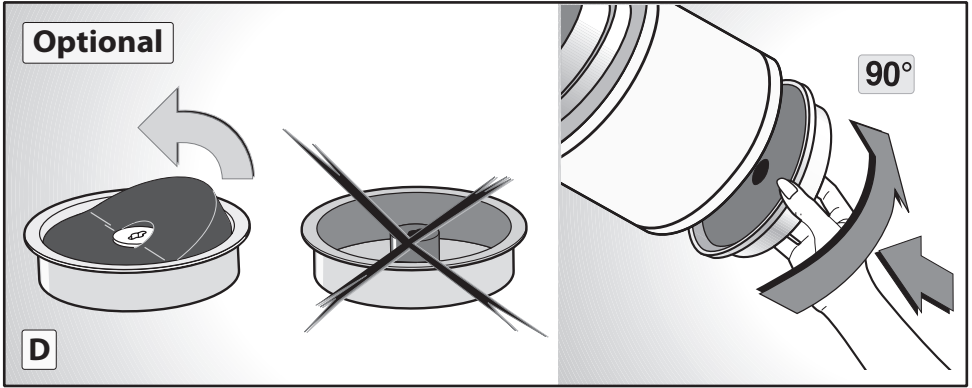


Fig.10

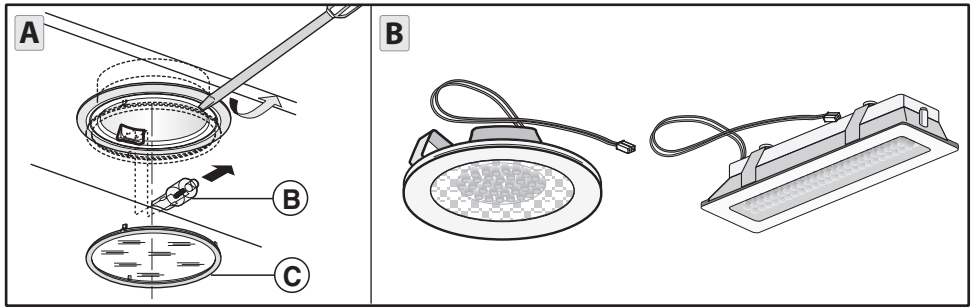


Fig.11

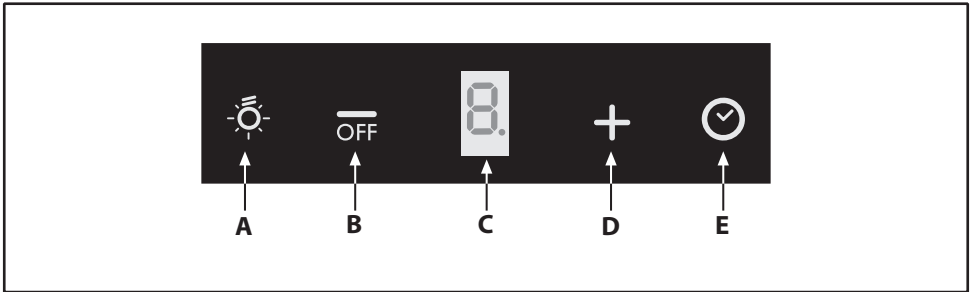


Fig.12

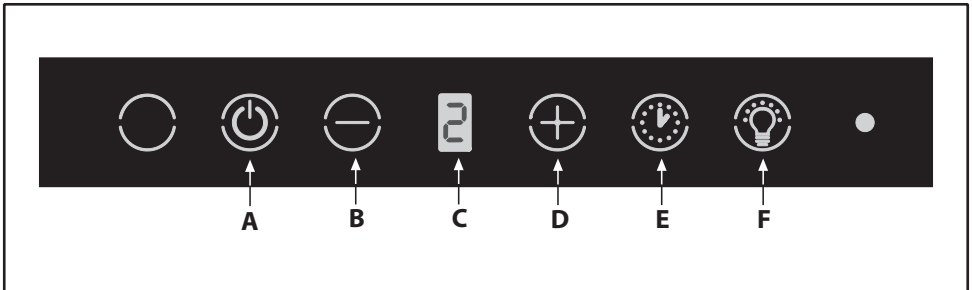


Fig.13

GENERAL

Carefully read the following important information regarding installation safety and maintenance. Keep this information booklet accessible for further consultations. The appliance has been designed for use in the ducting version (air exhaust to the outside - Fig.1B), filtering version (air circulation on the inside - Fig.1A) or with external motor (Fig.1C).

SAFETY PRECAUTION

1. Take care when the cooker hood is operating simultaneously with an open fireplace or burner that depend on the air in the environment and are supplied by other than electrical energy, as the cooker hood removes the air from the environment which a burner or fireplace need for combustion. The negative pressure in the environment must not exceed 4Pa (4x10⁻⁵ bar). Provide adequate ventilation in the environment for a safe operation of the cooker hood. Follow the local laws applicable for external air evacuation.

Before connecting the model to the electricity network:

- Control the data plate (positioned inside the appliance) to ascertain that the voltage and power correspond to the network and the socket is suitable. If in doubt ask a qualified electrician.

- If the power supply cable is damaged, it must be replaced with another cable or a special assembly, which may be obtained direct from the manufacturer or from the Technical Assistance Centre.

- This device must be connected to the supply network through either a plug fused 3A or hardwired to a 2 fase spur protected by 3A fuse.

2. Warning!

In certain circumstances electrical appliances may be a danger hazard.

A) Do not check the status of the filters while the cooker hood is operating.

B) Do not touch bulbs or adjacent areas, during or straight after prolonged use of the lighting installation.

C) Flambè cooking is prohibited underneath the cooker hood.

D) Avoid free flame, as it is damaging for the filters and a fire hazard.

E) Constantly check food frying to avoid that the overheated oil may become a fire hazard.

F) Disconnect the electrical plug prior to any maintenance.

G) This appliance is not intended for use by young children or infirm persons without supervision.

H) Young children should be supervised to ensure they do not play with the appliance.

I) There shall be adequate ventilation of the room when the rangehood is used at the same time as appliances burning gas or other fuels.

L) There is a risk of fire if cleaning is not carried out in accordance with the instructions.

This appliance conforms to the European Directive EC/2002/96, Waste Electrical and Electronic Equipment (WEEE). By making

sure that this appliance is disposed of in a suitable manner, the user is helping to prevent potential damage to the environment or to public health.



The symbol on the product or on the accompanying paperwork indicates that the appliance should not be treated as domestic waste, but should be delivered to a suitable electric and electronic appliance recycling collection point. Follow local guidelines when disposing of waste. For more information on the treatment, re-use and recycling of this product, please contact your local authority, domestic waste collection service or the shop where the appliance was purchased.


INSTALLATION INSTRUCTIONS

• Assembly and electrical connections must be carried out by specialised personnel.

• Wear protective gloves before proceeding with the installation.

• Electric Connection:

Note! Verify the data label placed inside the appliance:

- If the symbol  appears on the plate, it means that no earth connection must be made on the appliance, therefore follow the instructions concerning insulation class II.

- If the symbol  DOES NOT appear on the plate, follow the instructions concerning insulation class I.

Insulation class II

- The appliance has been manufactured as a class II, therefore no earth cable is necessary. The plug must be easily accessible after the installation of the appliance. If the appliance is equipped with power cord without plug, a suitably dimensioned omnipolar switch with 3 mm minimum opening between contacts must be fitted between the appliance and the electricity supply in compliance with the load and current regulations.

- The connection to the mains is carried out as follows:

BROWN = L line

BLUE = N neutral.

Insulation class I


This is a class I, appliance and must therefore be connected to an efficient earthing system.

- The appliance must be connected to the electricity supply as follows:

BROWN = L line

BLUE = N neutral

YELLOW/GREEN =  earth.

The neutral wire must be connected to the terminal with the **N** symbol while the **YELLOW/GREEN**, wire must be connected to the terminal by the earth symbol .

When connecting the appliance to the electricity supply, make sure that the mains socket has an earth connection. After fitting the ducted cooker hood, make sure that the electrical plug is in a position where it can be accessed easily. If the appliance is connected directly to the electricity supply, an omnipolar switch with a minimum contact opening of 3 mm must be placed in between the two; its size must be suitable for the load required and it must comply with current legislation.

- If the hob is electric, gas, or induction, the minimum distance between the same and the lower part of the hood must be at least **45 cm**. If a connection tube composed of two parts is used, the upper part must be placed outside the lower part. Do not connect the cooker hood exhaust to the same conductor used to circulate hot air or for evacuating fumes from other appliances generated by other than an electrical source.

- In the case of assembly of the appliance in the suction version prepare the hole for evacuation of the air.

- We recommend the use of an air exhaust tube which has the same diameter as the air exhaust outlet hole. If a pipe with a smaller diameter is used, the efficiency of the product may be reduced and its operation may become noisier.

Attention!

- Before proceeding with the installation, to be able to move the hood more easily, complete the following operations:

- 1.** Remove the **anti-grease filter** by pulling the handle, as shown in figure 2 - phase 1.

- 2.** If the product is equipped with activated charcoal **filters (B-C)**, remove them as shown in figure 2 - phase 2B or 2C.

- 3.** Unhook the small **cupola M** as shown in figure 2 - phase 4.

• Fixing to the wall (Fig.3):

- Mark the position of the lower side of the hood on the wall figure 3 - phase 1 (taking into account the minimum distance required from the hob).

- Position the fixing template on the wall, making sure that the line coincides with the line previously made on the wall, as described in the preceding section.

- Mark and drill fixing holes figure 3 - phase 2.

- Fasten the 4 anchors and the 2 screws **A-B** without fully tightening them figure 3 - phase 2.

- Position the appliance on the wall and permanently secure it by pulling the 2 screws **B** figure 3 - phase 3-4 and the 2 locking screws **B** figure 3 - phase 5.

- When carrying out the fixing operations, use only screws and screw anchors suited to the type of wall (e.g. reinforced concrete, plasterboard etc.).

- If the screws and screw anchors are supplied with the appliance, make sure that they are suited to the type of wall to which the hood must be fixed.

• Fixing to the wall OPTIONAL ACCESSORIES (Fig.4):

This hood model can have optional levelling brackets which can be requested from your dealer.

- Mark the position of the lower side of the hood on the wall figure 3 - phase 1 (taking into account the minimum distance required from the hob).

- Position the fixing template on the wall, making sure that the line coincides with the line previously made on the wall, as described in the preceding section.

- Mark and drill fixing holes figure 3 - phase 2.

- Take the two levelling brackets **C** and fix them to the hood support with the screws **D** as indicated in figure 4 - step 1. Do not tighten the 2 levelling screws **D**.

- Take the appliance and hang it on the two screws **B** figure 4 - step 2.

- Align the appliance horizontally by adjusting the two levelling screws **D** figure 4 - step 3.

- When you have finished the adjustment, tighten the 2 screws **B** figure 4 - step 4 and mount the hood on the wall permanently using the two safety screws **B** figure 4 - step 5.

- When carrying out the fixing operations, use only screws and screw anchors suited to the type of wall (e.g. reinforced concrete, plasterboard etc.).

- If the screws and screw anchors are supplied with the appliance, make sure that they are suited to the type of wall to which the hood must be fixed.

- Filtering version

- Unhook the small cupola **M** and remove the grille **E** (Fig. 5).

- Pass the power supply cable through the slots of the small cupola **M** as shown in Fig. 6.

- Take the fairlead **H** and position it between the power supply cable and the slot.

- Fasten the small cupola **M** and the grille **E** making sure that it is perfectly hooked on to the fastening pins **G**. (Fig. 6).

The filters must be applied to the suction unit positioned inside the hood. They must be centred by turning them 90 degrees until the stop catch is tripped (Fig.10B).

• Optional accessories

This model may have decorative ducts as optional accessories

- ask your retailer for information.

Before installing decorative flues it is necessary to remove the small cupola and loosen the 4 screws **B** that lock the fastening pins **G** as shown in Fig.7.

• Installation of models with decorative ducts - extractor hood

Make sure the electrical power supply is within the measurements of the decorative connector.

Connect flange **F** to the air exhaust hole using flexible hose **L** (Fig.7).

Adjust the width of the support bracket of the top connector (Fig. 8). Then fix it to the ceiling so that it is on the same axis as the hood using screws **A** and observing the distance from the ceiling shown in (Fig. 8). Slide the top connector inside the lower duct and place this on the body (Fig. 9).

Pull out the top duct as far as the bracket and secure it using screws **B** (Fig. 8).

To transform the hood from a ducting version into a filtering version, ask your dealer for the charcoal filters and follow the installation instructions.

• Filter hood:

Please note:

- In order to transform the hood from **EXTRACTOR HOOD** into **FILTER HOOD** the active carbon filters must be ordered at your distributor as accessory.

We have 3 different types of Kit, one with non-regenerable active carbon filters (Fig.10B) and the other one with regenerable active charcoal filters (washable) (Fig.10C - Fig.10D).

- Depending on the model one owns, the **CIRCULAR** active carbon filters must be applied to the suction unit located inside the hood, centring them and rotating them by 90 degrees until they snap into place (Fig.10B), to replace them perform the operation in reverse order.

- For **WASHABLE** regenerable activated carbon filters (Fig.10C), follow the assembly instructions contained in the KIT.

- For the **WASHABLE CIRCULAR** regenerable active carbon filters (Fig.10D), remove the pad and follow the instructions in the USE AND MAINTENANCE paragraph, "regenerable active carbon filters".

USE AND MAINTENANCE

- We recommend that the cooker hood is switched on before any food is cooked. We also recommend that the appliance is left running for 15 minutes after the food is cooked, in order to thoroughly eliminate all contaminated air. The effective performance of the cooker hood depends on constant maintenance; the anti-grease filter and the active carbon filter both require special attention.

- **The anti-grease filter** is responsible retaining the grease particles suspended in the air, therefore it is subject to clogging with variable frequency according to the use of the appliance.

- To prevent the danger of possible fires, at least every 2 months one must wash the anti-grease filters by hand using non-abrasive neutral liquid detergents or in the dishwasher at low temperatures and on short cycles.

- After a few washes, colour alterations may occur. This does not give the right to claim their replacement.

- **The active carbon filters** are used to purify the air that is sent back into the room and its function is to mitigate the unpleasant odours produced by cooking.

- The non-regenerable active carbon filters must be replaced at least every 4 months. The saturation of the active charcoal depends on the more or less prolonged use of the appliance, on the type of kitchen and on the frequency with which anti-grease filter is cleaned.

- Regenerable active charcoal filters must be washed by hand, with non abrasive neutral detergents, or in the dishwasher at a maximum temperature of 65°C (the washing cycle must be complete without dishware). Remove excess water without damaging the filter, remove the plastic parts, and let the mat dry in the oven for at least 15 minutes approximately at a maximum temperature of 100°C. To keep the regenerable charcoal filter functioning efficient this operation must be repeated every 2 months. These must be replaced at least every 3 years or when the mat is damaged.

- **Before remounting the anti-grease filters and the regenerable active charcoal filters it is important that they are completely dry.**

- **Clean the hood frequently, both internally and externally, using a cloth dampened with denatured alcohol or neutral liquid detergents that are non abrasive.**

- The lighting system is designed for use during cooking and not for the prolonged general lighting of the room. The prolonged use of the lighting system significantly decreases the average duration of the bulbs.

- If the appliance is equipped with courtesy lights it is possible to use them for general room lighting for a prolonged amount of time.

- **Attention:** the non compliance with the hood cleaning warnings and with the replacement and cleaning of the filters entails risk of fires. One therefore recommends keeping to the suggested instructions.

- **Replacing halogen light bulbs (Fig.11A):**

To replace the halogen light bulbs **B**, remove the glass pane **C** using a lever action on the relevant cracks. Replace the bulbs with new ones of the same type. **Caution:** do not touch the light bulb with bare hands.

- **Replacing LED lamps (Fig.11B):**

If the appliance version is with LED lamps, the intervention of a specialised technician is necessary to replace them.

- **Commands (Fig.12):**

Push-button A = On/off lights switch.

Push-button B = On/off cooker hood switch. The appliance switches on at speed level 1, If the cooker hood is on depress the push-button for 2 sec. to switch off the cooker hood. If the cooker hood is at speed level 1 it will not be necessary to depress the push-button to switch the cooker hood off. Decreases the motor speed.

Display C = Indicates the motor speed level selected and activates the timer.

Push-button D = Switches on the cooker hood. Increases the motor speed. Touching the key at 3rd speed, the intensive function runs for 6'; then the appliance go back to work at the original speed. During this function the display blinks.

Key E = The Timer times the functions on activation for 15 minutes, after which they are switched off. The Timer is deactivated by re-pressing **Key E**.

When the Timer is activated the decimal point must flash on the display. The Timer cannot be activated if the intensive speed is functioning.

The "**clean air**" function is activated by pressing key **E** for 2 seconds when the appliance is switched off. This switches the motor on for 10 minutes every hour at the first speed.

During functioning a rotary movement of the peripheral segments must be visualised on the display. When this time has passed the motor switches off and the fixed letter "**C**" must be visualised on the display until the motor re-starts after 50 minutes for another 10 minutes and so on.

Press any key apart from the light keys to return to normal functioning. Press key **E** to deactivate the function.

- **Anti-grease/active charcoal filters saturation:**

- When display item **C** flashes, at a speed where it alternates with the letter **F** (e.g. **1** and **F**), the anti-grease filters must be washed.

- When display item **C** flashes, at a speed where it alternates with the letter **A** (e.g. **1** and **A**), the active carbon filters must be replaced or washed depending on the type of filter.

After the clean filter has been positioned correctly, the electronic memory must be reset by pressing button **A** for approximately **5 seconds**, until the indication **F** or **A** shown on the display **C** stops flashing.

- If the display **C** does not stop flashing, repeat the operation with the motor on.

- **Commands (Fig.13):**

NOTE: with this command it is also possible to control the appliance using a remote control, to be requested as an accessory.

A Button = Switches the hood on/off. The equipment switches on at the 1st speed.

B Button = Decreases motor speed.

C Display = Shows the selected motor speed and timer activation/intense speed/filter warning.

D Button = Increases motor speed.

Pressing the 4th speed button engages the intense function for 6 minutes, then the equipment goes back to working at the speed at which it was activated. During this function, the number 4 flashes on the display.

- If you wish to deactivate the function before the 6 minutes, press the **B** button.

Attention! Some models only work up to the 3rd speed and, therefore, do not have the intense function.

E Button = Pressing this button activates the Timer function

even with any of the 1-2-3 speeds engaged (except the Intense function speed). When the Timer function is active, the set speed must flash on the display when the timer is activated. After 15 minutes, at the end of the countdown, the hood switches off (motor and any lights remain on).

If the intense speed is engaged, the Timer cannot be activated.

-If you wish to deactivate the function before the 15 minutes, press the **E** button.

F Button = Switches the lights on/off.

• **Anti-grease/active charcoal filters saturation:**

-After **30 h** of operation, when the **C** display flashes, alternating the working speed with the letter **F** (i.e. **2** and **F**), this means that you need to wash the anti **grease filters**.

-After **120 h** of operation, when the **C** display flashes, alternating the working speed with the letters **C/F** (i.e. **2** and **C/F**), this means that you need to wash or replace the **charcoal filters**.

- Once you have repositioned the clean filter, you need to reset the electronic memory with the hood on, pressing the **B** button for about **3 seconds**.

After that time, the letter **E** appears on the display (reset confirmed) and the hood switches off.

THE MANUFACTURER DECLINES ALL RESPONSIBILITY FOR EVENTUAL DAMAGES CAUSED BY BREACHING THE ABOVE WARNINGS.

ÚVOD

Přečtěte si pozorně obsah návodu, protože poskytuje důležité informace týkající se bezpečné instalace, používání i údržby zařízení. Uchovejte si návod pro jakoukoliv budoucí potřebu. Přístroj je určen k odsávání (odvádění vzduchu ven - Obr.1B), filtrování (recyklace vzduchu v místnosti - Obr.1A) nebo k použití s externím umístěným motorem (Obr.1C).

BEZPEČNOSTNÍ OPATŘENÍ

1. Vyžaduje se opatrnost, jestliže jsou současně v činnosti odsáváč par a jiný hořák nebo tepelné zařízení závisející na vzduchu místnosti a napájené jinou energií než elektrickou, protože odsáváč par spotřebuje ovzdušnění vzduch z okolí, který hořák nebo jiné tepelné zařízení potřebují ke spalování. Negativní tlak nesmí překročit 4Pa (4×10^{-5} bar). K bezpečnému provozu je tedy nutná odpovídající ventilace místnosti. Při odvádění vzduchu do vnějšího prostředí je nutné se řídit platnými předpisy Vaší země.

Před napojením modelu na elektrickou síť:

- Zkontrolujte tabulku s údaji umístěnou uvnitř přístroje a ověřte si, že napětí a výkon odpovídají místní síti a rovněž zásuvka je vhodná. V případě jakékoliv pochyby se poraďte s kvalifikovaným elektrikářem.
- Je-li napájecí kabel poškozen, musí být nahrazen speciálním kabelem nebo sadou, které jsou k dispozici u výrobce nebo v jeho servisním středisku.
- Připojte zařízení k napájení prostřednictvím zástrčky s pojistkou 3A nebo ke dvěma vodičům dvou fází, chráněným pojistkou 3A.

2. Upozornění!

V některých situacích mohou být elektrická zařízení zdrojem nebezpečí.

- A) Nekontrolujte stav filtrů, zatímco je odsavač v činnosti.**
- B) Nedotýkejte se zárovek a přilehlých prostor během dlouhodobého použití osvětlení nebo bezprostředně po něm.**
- C) Je zakázáno připravovat jídla na plameni pod odsavačem.**
- D) Vyhněte se použití volných plamenů, protože poškozuji filtry a mohou způsobit požár.**
- E) Udržujte neustále pod kontrolou smažení jídel, aby se zabránilo vznícení rozpáleného oleje.**
- F) Před zahájením údržby odpojte zástrčku ze zásuvky elektrického rozvodu.**
- G) Zařízení není určeno pro použití dětmi nebo nesvéprávnými osobami bez dozoru.**
- H) Dohlížejte na děti, abyste si byli jisti, že si nehrají se zařízením.**
- I) Když je odsavač používán současně se zařízeními spalujícími plyn nebo jiná paliva, místnost se musí vhodně větrat.**
- L) Když nebudou řádně provedeny úkony údržby, existuje riziko vzniku požáru.**

Toto zařízení je označeno v souladu s Evropskou směrnicí 2002/96/ES, Waste Electrical and Electronic Equipment (WEEE).

Tím, že se uživatel ujistí o správné likvidaci tohoto výrobku, přispívá k předcházení případným negativním následkům na životní prostředí a na zdraví.



Symbol na výrobku nebo na přiložené dokumentaci poukazuje na to, že se s tímto výrobkem nesmí zacházet jako s běžným domovním odpadem, ale musí se odeslat do vhodné sběrný určené pro recyklaci elektrických a elektronických zařízení. Zařízení se musí zbavit v souladu s místními předpisy pro likvidaci odpadu. Podrobnější informace o zacházení s tímto výrobkem, jeho opětovným použitím a recyklaci můžete získat, když se obrátíte na příslušný místní úřad, sběrnou službu domovního odpadu nebo obchod, ve kterém jste výrobek zakoupili.

NÁVOD K INSTALACI

- **Operace spojené s montáží a elektrická napojení musí být provedeny pouze odborným personálem.**
- **Používat ochranné rukavice pro provádění operací montáže.**

Elektrické zapojení:

- Poznámka! Zkontrolujte štítek umístěný uvnitř zařízení:
- Když se na štítku nachází symbol , znamená to, že zařízení nesmí být uzemněno, postupujte tudíž podle pokynů týkajících se třídy izolace II.
- Když na štítku NEJ uveden symbol , postupujte dle pokynů týkajících se třídy izolace I.

Třída izolace II

- Zařízení je vyrobeno v II. třídě, a proto žádný vodič nesmí být uzemněn.

Po instalaci zařízení musí být zástrčka snadno přístupná. V případě, že je zařízení vybaveno kabelem bez zástrčky, je pro jeho připojení do elektrického rozvodu třeba mezi zařízení a elektrický rozvod zapojit omnipolární stykač s minimální vzdáleností kontaktů 3 mm, navržený pro příslušnou zátěž a odpovídající platným normám.

- Napojení k elektrické síti musí být provedeno následovně:
HNĚDÁ = L vodič
MODRÁ = N neutrální vodič.

Třída izolace I

Toto zařízení je vyrobeno ve třídě I, a proto musí být připojeno k uzemnění.

- Připojení k elektrické síti musí být provedeno následovně:
HNĚDÝ = L fázový vodič
MODRÝ = N nulový vodič
ŽLUTO/ZELENÝ = zemnicí vodič.

Nulový vodič musí být připojen ke svorce označené symbolem **N**, zatímco **ŽLUTO/ZELENÝ** vodič musí být připojen ke svorce nacházející se v blízkosti symbolu uzemnění . Během operace elektrického zapojení se ujistěte, zda je elektrická zásuvka vybavena uzemněním. Po uskutečnění montáže odsavače dávejte pozor, aby byla poloha zástrčky elektrického přívodu snadno dostupná. V případě přímého zapojení k elektrické síti je třeba mezi zařízení a elektrickou síť zapojit omnipolární stykač s minimální vzdáleností kontaktů 3 mm, navržený pro příslušnou zátěž a odpovídající platným normám.

- Minimální vzdálenost mezi opěrnou plochou varných nádob na varném zařízení a nejnižším bodem kuchyňského krytu musí být alespoň **45 cm**. Vývod odsavače nesmí být napojen na vývod, ve kterém cirkuluje teplý vzduch, nebo který je používán k odvádění kouře ze zařízení napájených jinou energií než elektrickou.

- V případě montáže přístroje ve verzi odsavače je třeba připravit otvor k evakuaci vzduchu.

- Doporučuje se použít trubku pro odvádění vzduchu se stejným průměrem jako hrdlo výstupu vzduchu. Použití redukce by mohlo negativně ovlivnit vlastnosti výrobku a zvýšit hlučnost.

Pozor!

- Před montáží, pro usnadnění manipulace s odsavačem, vykonajte následující operace:

- 1. Odstraňte protitukový filtr** zatažením za rukojeť, jak je znázorněno na obrázku 2 - fáze 1.

- 2. Je-li výrobek vybaven filtry s aktivním uhlíkem (B-C),** odstraňte je, jak je znázorněno na obrázku 2 - fáze 2B - 2C.

- 3. Uvolněte horní kryt M** jak je znázorněno na obrázku 2 - fáze 4.

• Montáž na stěnu (Obr.3)

Vyznačte na stěně úroveň spodního okraje odsavače (mějte na paměti minimální vzdálenost od varné desky) – obrázek 3 - fáze 1.

- Umístěte upevňovací šablonu na stěnu a dbejte přitom, aby se příslušná čára shodovala s čarou naznačenou v předcházejícím odstavci.

- Vyznačte a vyvrtejte 4 otvory pro upevnění obrázek 3 - fáze 2.

- Upevněte 4 hmoždinky a 2 šrouby **A-B** bez kompletního dotažení obrázek 3 - fáze 2.

- Umístěte přístroj na stěnu a definitivně jej upevněte dotažením 2 šroubů **B** obrázek 3 - fáze 3-4 a 2 pojistných šroubů **B** obrázek 3 - fáze 5.

- Pro různé montážní podmínky použijte příslušné typy šroubů a hmoždinek, které budou odpovídat typu zdva (např. armovaný beton, sádrokarton atd.).

- Budou-li šrouby a hmoždinky dodány jako součást produktu, ujistěte se, zda odpovídají typu zdva, na něž má být odsavač namontován.

• Montáž na stěnu VOLITELNÉ PŘÍSLUŠENSTVÍ (Obr.4)

Tento model digestoře může být vybaven, jako volitelným příslušenstvím, vyrovnávacími konzolami, které si můžete vyžádat u vašeho prodejce.

Vyznačte na stěně úroveň spodního okraje odsavače (mějte na paměti minimální vzdálenost od varné desky) – obrázek 3 - fáze 1.

- Umístěte upevňovací šablonu na stěnu a dbejte přitom, aby se příslušná čára shodovala s čarou naznačenou v předcházejícím odstavci.

- Vyznačte a vyvrtejte 4 otvory pro upevnění obrázek 3 - fáze 2.

- Vezměte vyrovnávací konzoly **C** a upevněte je na držák digestoře pomocí šroubů **D**, jak je uvedeno na obrázku 4 - fáze 1, přičemž 2 vyrovnávací šrouby **D** nesmí být utaženy.

- Vezměte zařízení a zavěste ho na dva šrouby **B** na obrázku 4 - fáze 2.

- Srovnejte zařízení do vodorovné polohy pomocí dvou vyrovnávacích šroubů **D**, obrázek 4 - fáze 3.

- Po seřízení utáhněte 2 šrouby **B**, obrázek 4 - fáze 4 a definitivně upevněte digestoř ke stěně pojistnými šrouby **B**, obrázek 4 - fáze 5.

- Pro různé montážní podmínky použijte příslušné typy šrou-

- bů a hmoždinek, které budou odpovídat typu zdva (např. armovaný beton, sádrokarton atd.).

- Budou-li šrouby a hmoždinky dodány jako součást produktu, ujistěte se, zda odpovídají typu zdva, na něž má být odsavač namontován.

• Filtrační verze:

- Odmontujte horní kryt **M** a odstraňte mřížku **E** (Obr.5).

- Nechte projít napájecí kabel otvorem horního krytu **M** znázorněným na Obr.6.

- Vezměte trubku na přechod kabelů **H** a umístěte ji mezi napájecí kabel a otvor.

- Opětovně umístěte horní kryt **M** a mřížku **E**, dávejte přitom pozor, aby se perfektně nasadili na fixující čepy **G** (Obr.6).

Filtry musí být aplikovány na odsávací skupině umístěné uvnitř krytu v jeho středu a je třeba jimi otáčet o 90 stupňů až do zastavovacího kliknutí (Obr.10B).

• Volitelné příslušenství:

Tento model odsavače může být v rámci volitelného příslušenství vybaven estetickými komínky, o které je třeba požádat vašeho prodejce. Před instalací estetických komínů je zapotřebí odstranit horní kryt a odsroutovat 4 šrouby **B**, které blokují fixující čepy **G** jak je znázorněno na Obr.7.

• Instalace pro modely s estetickými komínky:

Odsávací verze

Umístěte elektrické napájení uvnitř rozměrů estetického komínu.

Připojte pomocí flexibilní hadice **L**, přírubu **F** k otvoru na odvádění vzduchu (Obr.7).

Regulujte šířku podpěrné lišty vrchního estetického komínu (Obr.8).

Následně ji upevněte na stěnu pomocí šroubů tak, aby byla vyrovnána s osou vašeho odsavače **A** a respektovala vzdálenost uvedenou na Obr.8.

Vložte vrchní estetický komín dovnitř spodního estetického komínu a umístěte je nad odsavač (Obr.9).

Vyjměte vrchní estetický komín až po svorku a upevněte jej pomocí šroubů **B** (Obr.8).

Budete-li chtít změnit funkci zařízení z odsavače na filtrační verzi, vyžádejte si u vašeho prodejce filtry s aktivním uhlíkem a sledujte montážní pokyny.

• Filtrační verze:

Upozornění!

- Pro provedení přeměny odsavače z **ODSÁVACÍ** verze na **FILTRAČNÍ** si objednejte u vašeho prodejce filtry s aktivním uhlím, které jsou součástí volitelného příslušenství.

Máme k dispozici 3 odlišné druhy sad, jednu s aktivní uhlíkové filtry, které nelze regenerovat (Obr.10B) a druhou s aktivní uhlíkové filtry, které lze regenerovat (umývateľné) (Obr.10C - Obr.10D).

V závislosti na modelu, který vlastníte, se musí **KRUHOVÉ** filtry s aktivním uhlíkem aplikovat na sací jednotku uvnitř odsavače, vycentrovat a otočit o 90 stupňů, dokud neuslyšíte zacvaknutí (obr. 10B); pro jejich výměnu vykonajte tuto operaci v opačném pořadí.

- Pro regenerovatelné **OMYVATELNÉ** filtry s aktivním uhlíkem (Obr.10C) postupujte podle pokynů, obsažených v sadě.

- V případě regenerovatelných **PRATELNÝCH KRUHOVÝCH** filtrů s aktivním uhlím (Obr.10D), vyjměte podušku a postupujte podle pokynů uvedených v odstavci POUŽITÍ A ÚDRŽBA, "regenerovatelné filtry s aktivním uhlím".

POUŽITÍ A ÚDRŽBA

• Doporučujeme uvést zařízení do činnosti ještě před zahájením přípravy jakéhokoli jídla. Doporučujeme ponechat zařízení v činnosti i po dobu 15 minut po ukončení přípravy jídla, aby byl kompletně odveden zapáchající vzduch. Správná činnost odsavače je podmíněna správnou a nepřetržitou údržbou; zvláštní pozornost je třeba věnovat protitukovému filtru a filtru s aktivním uhlím.

• **Protitukový filtr** má za úkol zachycovat mastné částice nacházející se ve vzduchu, proto je v průběhu proměnné doby vystaven ucpávání; tato doba závisí na používání zařízení.

- Abyste předešli případnému nebezpečí požáru, je nutné nejméně jednou za dva měsíce nutné propláchnout filtry proti mastnotě v ruce pomocí neutrálních neabrazivních čistících prostředků nebo v myčce na nádobí při nízkých teplotách v krátkém mycím programu.

- Po několika mytích může dojít ke změně barvy. Tento jev neopravňuje k reklamaci po eventuální výměně.

• **Filtry s aktivním uhlíkem** slouží pro pročištění vzduchu, který se vypouští do prostředí a pohlcují nepříjemné zápachy, které vznikají během vaření.

- Aktivní uhlíkové filtry, které nelze regenerovat, je zapotřebí měnit každé 4 měsíce. Saturace aktivního uhlíku závisí více-méně od délky používání přístroje, typu kuchyně a pravidelnosti, se kterou se provádí čištění filtru proti mastnotě.

- Aktivní uhlíkové filtry, které lze regenerovat, je možné mýt v ruce pomocí čistících neutrálních a neabrazivních prostředků, anebo je možné je mýt v myčce na nádobí s maximální teplotou 65°C (cyklus mytí se musí provádět bez nádobí). Odstraňte přebytek vody bez toho, že byste poškodili filtr, odstraňte části z plastu a nechte vysušit podložku v ruce po dobu přibližně 15 minut o teplotě maximálně 100°C. Pro udržování funkčnosti uhlíkového filtru s možností regenerace je zapotřebí zopakovat tuto operaci každé 2 měsíce. Tyto filtry se musí vyměnit jednou za 3 roky nebo když je podložka poškozena.

• **Před opětovným namontováním filtru proti mastnotě a aktivních uhlíkových filtrů, které lze regenerovat, je důležité, aby byli pořádně suché.**

• **Opakovaně čistíte odsavač, zevnitř i zevně, s použitím hadru navlhčeného v denaturovaném lihu nebo neabrazivních tekutých čistících prostředcích.**

• Osvětlení je navrženo pro použití během vaření a ne pro dlouhodobější použití za účelem osvětlení okolního prostředí. Dlouhodobější použití osvětlení výrazně snižuje průměrnou životnost žárovek.

• Pokud je přístroj vybaven osvětlením prostředí, toto může být používáno pro všeobecné dlouhodobé osvětlování daného prostředí.

• **Pozor:** nedodržování pokynů k čištění odsavače a výměny a čištění filtrů zapříčiní rizika požáru. Doporučuje se proto dodržovat tyto pokyny.

• **Výměna halogenových žárovek (Obr.11A):**

Při výměně halogenových žárovek **B** sejměte skříňku **C** po jeho nadzvednutí v místě příslušných otvorů. Žárovky nahradte novými žárovkami stejného druhu. **Upozornění:** nedotýkejte se žárovky holými rukama.

• **Výměna žárovek LED (Obr.11B):**

Je-li verze výrobku vybavena žárovkami LED pro jejich výměnu je potřebný zásah specializovaného technika.

• **Ovládání (Obr.12):**

Tlačítko A = Rozsvítí/zhasne světla.

Tlačítko B = Zapne/vypne odsavač. Přístroj je uveden do chodu při první rychlosti. Je-li odsavač zapnutý, vypněte jej stisknutím tlačítka na 2 sek. Pokud se odsavač nachází ve fázi první rychlosti, není nezbytné dlouze stisknout tlačítko za účelem vypnutí. Snižuje se rychlost motoru.

Displej C = Ukazuje zvolenou rychlost motoru a uvedení do chodu časového spínače.

Tlačítko D = Zapne odsavač. Zvyšuje rychlost motoru. Stiskne-li se tlačítko od třetí rychlosti, je nastavena intenzivní funkce na 6 vteřin, pak se přístroj vrátí do fáze pracovní rychlosti v okamžiku uvedení do chodu. Během této funkce displej bliká.

Tlačítko E = Časovač slouží k časovému ovládní funkci v průběhu 15 minut po jeho aktivaci; po uplynutí uvedené doby se tyto funkce vypnou. Vypnutí časovače se provádí stisknutím tlačítka **E**. Aktivace funkce časovače musí být signalizována blikáním desetinné tečky na displeji. Je-li aktivována intenzivní rychlost, aktivace časovače není možná.

Stisknutím tlačítka **E** na 2 sekundy při vypnutém zařízení se aktivuje funkce "clean air". V rámci této funkce se motor zapne každou hodinu na 10 minut a během této doby se bude otáčet první rychlostí. Během jeho činnosti bude na displeji zobrazen rotační pohyb obvodových segmentů. Po uplynutí uvedené doby dojde k vypnutí motoru a na displeji musí být zobrazeno písmeno "C"; aniž by blikalo, dokud nebude po uplynutí dalších 50 minut motor znovu spuštěn na 10 minut, a tak dále. Pro návrat k normálnímu provozu stiskněte jakékoli tlačítko kromě tlačítek světla. Pro deaktivaci funkce stiskněte tlačítko **E**.

• **Nасыcení protitukových filtrů/filtrů s aktivním uhlím:**

- Když displej **C** bliká a střídavě zobrazuje provozní rychlost a písmeno **F** (např. **1 a F**), je třeba vyčistit protitukové filtry.

- Když displej **C** bliká, měnič rychlost provozu s písmenem **A** (např. **1 a A**) znamená to, že uhlíkové filtry je třeba vyměnit anebo vyčistit v závislosti od typu filtru.

Po vložení čistého filtru je třeba vynulovat elektronickou paměť stisknutím tlačítka **A** na dobu přibližně **5 sek.**, dokud signalizace **F** nebo **A** na displeji **C** neprestane blikat.

- Pokud displej **C** nepřestane blikat, zopakujte postup s běžícím motorem.

• **Ovládací příkazy (Obr.13):**

POZNÁMKA: s tímto příkazem můžete kontrolovat přístroj s dálkovým ovládním, které je dostupné jako příslušenství.

Tlačítko A = Zapne/vypne odsavač par. Přístroj se zapne při 1. rychlosti.

Tlačítko B = Sniží rychlost motoru.

Displej C = Indikuje zvolenou rychlost motoru a aktivaci časovače/intenzivní rychlosti/signalizace filtrů.

Tlačítko D = Zvyší rychlost motoru.

Stisknutím tlačítka 4. rychlosti se aktivuje intenzivní rychlost po dobu 6 minut, poté se přístroj vrátí na provozní rychlost, nastavenou před aktivací. Během této funkce na displeji bliká číslo 4.

- Chcete-li deaktivovat funkci dřív, než uplyne 6 minut, stiskněte tlačítko **B**.

Pozor! Některé modely pracují jenom po 3. rychlost, intenzivní rychlost není k dispozici.

Tlačítko E = 5 jakoukoliv vloženo rychlosti 1-2-3 (výjma intenzivní rychlosti 4) se stisknutím tlačítka aktivuje funkce Timer (časovač). Když je funkce časovače aktivní, na displeji musí blikat rychlost, která byla nastavena v okamžiku aktiva-

ce časovače.

Po 15 minutách na konci počítání se odsavač par vypne (motor a eventuální světla zůstanou zapnuty).

Je-li aktivní intenzivní rychlost, časovač nelze spustit.

- Chcete-li deaktivovat funkci dřív, než uplyne 15 minut, stiskněte tlačítko **E**.

Tlačítko F = Zapne/zhasne světla.

• **Saturace protitukových/uhlíkových filtrů:**

- Po **30 hodinách** provozu, když na displeji **C** střídavě bliká provozní rychlost s písmenem **F** (např. **2 a F**), znamená to, že je nezbytné umýt **protitukové filtry**.

- Po **120 hodinách**, provozu, když na displeji **C** střídavě bliká provozní rychlost s písmenem **C/F** (např. **2 a C/F**), , znamená to, že je nezbytné umýt nebo vyměnit **uhlíkové filtry**.

- Po umístění čistého filtru je nezbytné resetovat elektronickou paměť při zapnutém odsavači par stisknutím tlačítka **B** po dobu asi **3 sek.**

Po uplynutí této doby se na displeji objeví písmeno **E** (potvrzení provedeního resetu) a odsavač par se vypne.

VÝROBCE ODMÍTÁ JAKOUKOLIV ZODPOVĚDNOST ZA ŠKODY ZPŮSOBENÉ NEDODRŽENÍM UVEDENÝCH UPOZORNĚNÍ.

GENERELLE OPLYSNINGER

Læs omhyggeligt indholdet af denne brugsanvisning, da den giver vigtige oplysninger vedrørende sikkerheden ved installation, brug og vedligeholdelse. Opbevar brugsanvisningen til senere brug. Apparatet er udarbejdet til at kunne fungere; udsugende (udledning af luft til eksterne omgivelser Fig.1B), filtrerende (intern cirkulation af luft Fig.1A) og med udvendig motor (Fig.1C).

OPLYSNINGER VEDRØRENDE SIKKERHED

1. Udvis forsigtighed hvis der samtidigt med emhætten er en varmekilde eller flamme i funktion, som er afhængig af luften i omgivelserne og forsynet med energi, der ikke er elektrisk, eftersom emhætten fjerner den luft fra omgivelserne, som flammen eller varmekilden har brug for til forbrænding. Det negative tryk i lokalet må ikke overstige 4 Pa (4x10⁻⁵ bar). For størst mulig sikkerhed, sørg for en passende ventilation af rummet. Hvad angår udsugningen til eksterne omgivelser følg de gældende normer.

Før modellen tilsluttes el-nettet:

- Kontroller informationsetiketten (placeret indeni apparatet), for at sikre, at spændingen og styrken er i overensstemmelse med el-nettet og at stikkontakterne er egnede. Hvis De er i tvivl, konsulter en kvalificeret elektriker.

- Hvis forsyningsledningen er beskadiget, skal den udskiftes med en ledning eller en særlig samling fra fabrikanten eller et autoriseret servicecenter.

- Tilslut forsyningsenheden ved hjælp af et stik med en 3A sikring eller til de to fasedninger, som er beskyttet af en 3A sikring.

2. Pas på!

I nogle situationer kan elektriske apparater udgøre en fare.

A) Undgå at kontrollere filtrens tilstand mens emhætten er i funktion.

B) Rør ikke ved pærer eller tilstødende områder under eller lige efter længerevarende brug af belysningsanlægget.

C) Det er ikke tilladt at tilberede madvarer for åben ild under emhætten.

D) Undgå åben ild, da det kan beskadige filtrene og medføre fare for brand.

E) Hold altid øje med maden under friturestegning for at undgå, at olien antændes.

F) Træk stikket ud af stikkontakten, inden der foretages vedligeholdelse.

G) Apparatet må ikke bruges af børn eller af personer, der ikke har de mentale eller fysiske egenskaber til korrekt brug, uden overvågning.

H) Hold øje med børnene for at sikre, at de ikke leger med apparatet.

I) Når emhætten anvendes samtidigt med apparater, der bruger gas eller andre brændstoffer, skal rummet have tilstrækkelig udluftning.

L) Hvis rengøring ikke udføres i overensstemmelse med anvisningerne, kan det medføre brandfare.

Dette apparat er udviklet i overensstemmelse med det euro-

pæiske direktiv 2002/96/EF om affald af elektrisk og elektronisk udstyr (WEEE). Ved at sikre sig, at dette produkt bortskaffes på korrekt vis, bidrager brugeren til at forhindre eventuelle negative miljømæssige og sundhedsmæssige påvirkninger.



Symbolet på produktet eller på dokumentationen, der følger med produktet, angiver, at produktet ikke skal behandles som husholdningsaffald, men at det skal bortskaffes på passende vis på genbrugsstationer til elektriske og elektroniske apparater. Apparatet skal bortskaffes i overensstemmelse med de gældende regler for bortskaffelse af affald. For yderligere oplysninger om håndtering, genvinding og genbrug af dette produkt, bedes man kontakte de lokale myndigheder, teknisk forvaltning eller forretningen, hvor produktet er købt.


INSTRUKTION VED INSTALLERING


• **Monteringen og udførelsen af de elektriske forbindelser, skal udføres af specialiseret personale.**

• **Inden man går frem med monteringen, skal man iføre sig beskyttelseshandsker.**

• Den elektriske forbindelse:

Bemærk! Kontroller typeskiltet inden i apparatet.

- Hvis der på skiltet findes symbolet , betyder det, at apparatet ikke skal jordes. Følg anvisningerne for isoleringsklasse II.

- Hvis der på skiltet IKKE vises symbolet , skal man følge anvisningerne for isoleringsklasse I.

Isoleringsklasse II

- Apparatet er udarbejdet i klasse II, derfor skal der ikke tilsluttes et kabel til jordforbindelsen.

Man skal nemt kunne nå ind til stikket efter installation af apparatet.

Hvis apparatet er udstyret med ledning uden stik, skal man ved tilkobling til strømforsyningen sørge for, at der mellem apparatet og strømforsyningen er installeret en flerpolet afbryder med en åbning på minimum 3mm mellem kontakterne, som passer til belastningen og overholder de gældende regler.

- Tilslutning til el-nettet skal udføres som følgende:

BRUN = L Fase

BLÅ = N Neutral


Isoleringsklasse I

Dette apparat er konstrueret i klasse I og skal derfor tilsluttes til et stik med jordforbindelse.

- Tilslutningen til strømforsyningen skal udføres på følgende måde:

BRUN = L Fase

BLÅ = N Neutral

GUL/GRØN =  jord.

Den neutrale ledning skal tilsluttes til klemrækken med symbolet **N** mens den **GUL/GRØNNE** skal tilsluttes til klemrækken ud for jordsymbolet .

Når den elektriske tilslutning udføres, skal man sikre sig, at strømstikket har jordforbindelse. Efter montering af emhætten skal man sikre sig, at stikkontakten nemt kan nås. Ved direkte tilslutning til strømforsyningen skal der mellem apparatet og strømforsyningsnettet monteres en flerpolet afbryder med en minimumsafstand mellem kontakterne på 3mm, der kan klare

belastningen og overholder de gældende regler.

- Minimums distancen mellem kogeoverfladen, målt fra selve kogepladerne, og den nederste del af emhætten, skal være mindst **45 cm**. Hvis der anvendes et forbindelsesrør bestående af to eller flere dele, skal den øverste del placeres uden på den nederste. Tilslut ikke udledningen fra emhætten med et rør, hvori der cirkulerer varm luft eller som anvendes til at udlede røg fra apparater, der ikke bruger elektrisk energi.

- I de tilfælde, hvor apparatet skal installeres i en udsugende version, forberedes åbningen til udledning af luft.

- Det anbefales at anvende en luftudsugningslange med samme diameter som luftudgangshullet. Hvis der anvendes en mindre slange, kan det forringe produktets ydelse og medføre øget støj.

OBS!

- Inden monteringen påbegyndes, gøres følgende for nemmere at kunne håndtere emhætten:

1. Tag **fedtfilteret** af ved at trække i håndtaget, som vist i figur 2 - punkt 1.

2. Hvis produktet har **filtre med aktivt kul (B-C)**, fjernes de, som vist i figur 2 - punkt 2B-2C.

3. Løs **den kuppelformede del M**, som vist i figur 2 - punkt 4.

• Fastøring til væggen (Fig.3):

Afmærk emhættens nederste kant på væggen figur 3 - fase 1 (idet der tages højde for minimumsafstanden til kogepladen).

- Anbring skabelonen på væggen, så kanten flugter med den kant, der blev afmærket i forrige punkt.

- Afmærk og bor de 4 fastgøringshuller figur 3 - fase 2.

- Fastgør de 4 rawplugs og de 2 skruer **A-B** uden at stramme dem helt figur 3 - fase 2.

- Placér apparatet på væggen og fastgør det endeligt ved at stramme de 2 skruer **B** figur 3 - fase 3-4 og de 2 sikkerhedsskruer **B** figur 3 - fase 5.

- Der skal anvendes skruer og rawplugs, der passer til vægtypen (f.eks. armeret beton, gipsvæg osv.).

Hvis der følger skruer og rawplugs med, skal man først sikre sig, at de passer til den type væg, som emhætten skal monteres på.

• Fastøring til væggen OPTIONAL Fig.4):

Denne emhættemodel har som optionel forskellige bærere til indstilling, der kan fås ved henvendelse hos forhandleren.

Afmærk emhættens nederste kant på væggen figur 3 - fase 1 (idet der tages højde for minimumsafstanden til kogepladen).

- Anbring skabelonen på væggen, så kanten flugter med den kant, der blev afmærket i forrige punkt.

- Afmærk og bor de 4 fastgøringshuller figur 3 - fase 2.

- Tag de to indstillingsbærere **C** og fastgør dem på emhættens holder vha. skruer **D** som vist på fig. 4 - fase 1. Vær opmærksom på, at de to indstillingskruer **D** ikke er helt skruet i.

- Tag emhætten og hæng den op på de to skruer **B** fig.4 - fase 2.
- Hæng emhætten vandret vha. de to indstillingskruer **D** fig.4 - fase 3.

- Når emhætten hænger lige, fastskrues de 2 skruer **B** fig. 4 - fase 4 og fastgør derefter emhætten til muren vjh. de 2 sikkerhedsskruer **B** fig. 4 - fase 5.

- Der skal anvendes skruer og rawplugs, der passer til vægtypen (f.eks. armeret beton, gipsvæg osv.).

Hvis der følger skruer og rawplugs med, skal man først sikre sig, at de passer til den type væg, som emhætten skal

monteres på.

• Filtrerende version:

- Løs den lille kuppel **M** og fjern rillen **E** (Fig.5).

- Før elforsyningskablet gennem det splejsede øje på den lille kuppel **M**, som det angives på Fig.6.

- Tag kabelholderen **H** og anbring den mellem strømkablet og hullet.

- Sæt den kuppelformede del **M** og risten **E** på igen og sørg for at de hægt sig perfekt på stifterne **G** (Fig.6).

Filtrene skal anbringes i indsugningsgruppen, der sidder indvendigt i hætten, og når disse befinder sig centralt i gruppen drejes de 90 grader indtil fastlåsning (Fig.10B).

• Optional:

Til denne emhættemodel fås afskærmning som ekstraudstyr på efterspørgsel hos forhandleren.

Inden man installerer den dekorative pejs, skal man fjerne den lille kuppel, og løsne de 4 skruer **B**, som blokerer fastgørings-tapper **G**, som angivet på Fig.7.

• Installation på modeller med dekorativ pejs:

Udsugende version

Den elektriske forsyning skal indrettes indenfor ydre målene på den dekorative pejs.

Med slangen **L**, forbind flangen **F** til udstødningshullet (Fig.7). Reguler støttebøjle's bredde til overdelen på den dekorative pejs (Fig.8). Fastgør derefter bøjlen til væggen, ved hjælp af skrueerne **A**, sådan at den er i akse med emhætten, og at den respekterer afstanden angivet på Fig.8.

Indsæt det øvre pyntepanel i det nedre pyntepanel og anbring dem oven på emhætten (Fig.9).

Træk overdelen til den dekorative pejs ud, helt hen til bøjlen, og fastgør den med skrueerne **B** (Fig.8).

Skal emhætten laves om fra aftræk til filtrering, anskaffes kulfiltre hos forhandleren, hvorefter monteringsvejledningen følges.

• Emhætte med filter

Vær opmærksom!

- For at omdanne emhætten fra en emhætte med **UDSUGNING** til en emhætte med **FILTER** skal der bestilles kulfiltre som ekstraudstyr hos forhandleren.

Der findes 3 forskellige typer sæt - et med kassette-kulfiltre (Fig.10B) og et med genbrugskulfiltre (vaskbare) (Fig.10C - Fig.10D).

- Afhængigt af modellen skal **RUNDE** filtre med aktivt kul sættes på den udsugende enhed indvendigt i emhætten, centreret omkring den og drejes 90°, indtil de klikker på plads (Fig.10B), ved udskiftning udføres handlingen omvendt.

- Følg monteringsanvisningerne i KITET for de **VASKBARE**, regenerende aktive kulfiltre (Fig. 10C).

- For de genbrugelige **VASKBARERUNDE** filtre med aktivt kul (fig. 10D), tag den lille madres ud og følg anvisningerne, beskrevet i afsnittet BRUG OG VEDLIGEHOLDELSE, under "aktive genbrugskulfiltre".

BRUG OG VEDLIGEHOLDELSE

- Det anbefales, at apparatet sættes i funktion, inden man begynder tilberedningen af madvarer. Det anbefales, at lade emhætten køre i 15 minutter efter endt tilberedning, så al mados suges ud. Korrekt funktion af emhætten afhænger af en korrekt og jævnlig vedligeholdelse. Man skal især være

opmærksom med at udskifte fedtfilteret og det aktive kulfilter.

• **Fedtfilteret** har til opgave at tilbageholde de fedtpartikler, der findes i luften. Filteret vil derfor blive tilstoppet med tiden, alt efter hvor ofte emhætten anvendes.

- For at forebygge faren for eventuelle brande skal fedtfilteret mindst hver 2. måned vaskes i hånden med flydende neutrale ikke slibende rengøringsmidler eller i opvaskemaskine ved lav temperatur og kort program.

- Efter nogle vaske kan der forekomme farveændringer. Dette giver ikke ret til at kræve udskiftning af filtrene.

• **De aktive kulfiltere** renser luften, der genudledes i omgivelserne, og tjener til at dæmpe ubehagelige lugte, som dannes ved madtilberedning.

- De ikke-regenererende aktive kulfiltere skal udskiftes mindst hver 4. måned. Mætningen af det aktive kul afhænger af den mere eller mindre længerevarende brug af emhætten, af hvilken slags mad der tilberedes og af regelmæssigheden af rengøringen af fedtfilteret.

- De regenererende aktive kulfiltere skal vaskes i hånden med flydende neutrale ikke slibende rengøringsmidler eller i opvaskemaskine ved højst 65°C (vaskecyklussen skal være komplet uden anden opvask i maskinen). Fjern overskydende vand uden at ødelægge filtret, fjern plastikdelene og tør filtermatten i ovnen i mindst 15 minutter ved en temperatur på højst 100°C. For at opretholde det regenererende aktive kulfilters effektive funktion skal denne operation foretages hver 2. måned. Filtrene skal udskiftes mindst hvert 3. år, eller når filtermatten er beskadiget.

• **Det er vigtigt, at fedtfilterene og de regenererende aktive kulfiltere er helt tørre, inden de genmonteres.**

• **Emhætten skal rengøres jævnligt, både indvendigt og udvendigt, med en klud opvædet i denatureret alkohol eller et neutralt, ikke slibende rengøringsmiddel.**

• Lyset er beregnet til brug under tilberedning af mad og ikke til generel oplysning af lokalet. Længerevarende brug af lyset vil reducere lyspærenes gennemsnitlige levetid betydeligt.

• Hvis apparatet er forsynet med **rumoplysning**, kan dette anvendes til længerevarende generel oplysning af lokalet.

• **Pas på:** manglende udførsel af udskiftning og rengøring af filtrene medfører brandfare. Det anbefales derfor at overholde de foreslåede instruktioner.

• **Udskiftning af halogenpærer (Fig.11A):**

For at udskifte halogenpærerne **B** skal man fjerne glasset **C** ved at trykke på rillerne. Udskift pærerne med pærer af samme type. **Vær opmærksom:** rør ikke ved pæren med bare hænder.

• **Udskiftning af LED lamperne (Fig.11B):**

Hvis apparatets version er udstyret med LED lamper, skal disse udskiftes af en specialiseret tekniker.

• **Betjening-senhed (Fig.12):**

Tast A = Tænder/slukker lysene.

Tast B = Tænder/slukker emhætten. Apparatet tændes på 1. hastighed. Hvis emhætten er tændt skal man trykke på tasten i 2 sek. for at slukke. Hvis emhætten er indstillet på 1. hastighed er det ikke nødvendigt at holde tasten trykket for at slukke. Sænker motorhastigheden.

Display C = Viser den valgte motorhastighed og aktivering af timer'en.

Tast D = Tænder emhætten. Øger motorhastigheden. Ved tryk på tasten fra 3. hastighed tændes den intensive funktion i 6 minutter, hvorefter apparatet vender tilbage til at fungere med den almindelige hastighed, der var indstillet det øjeblik,

hvor den intensive funktion blev tændt. Under denne funktion blinker displayet.

Tast E = Når timeren aktiveres, indstiller den funktionerne til at fortsætte i 15 minutter, hvorefter de slukkes. Timeren slås fra ved at trykke på tasten **E**. Når funktionen Timer er tændt, blinker decimaltallet på displayet. Hvis funktionen til indstilling af hastighed er aktiveret, fungerer funktionen Timer ikke.

Hvis tasten **E** trykkes ned i 2 sekunder, når emhætten er slukket, aktiveres funktionen "**clean air**". Denne funktion tænder motoren i 10 minutter for hver time på første hastighedsstrin. Når funktionen er aktiveret, viser displayet en drejende bevægelse af de omgivende segmenter. Når tiden er gået, slukker motoren igen, og på displayet vises bogstavet "**C**", indtil motoren igen efter 50 minutter aktiveres i 10 minutter og så videre. For at vende tilbage til normal funktion trykkes på en hvilken som helst knap bortset fra lysknappen. Funktionen deaktiveres ved at trykke på tasten **E**.

• **Mætning af fedtfiltere/aktive kulfiltere:**

- Når displayet **C** blinker, og ændrer blæserhastigheden, med bogstavet **F** (f.eks. **1** og **F**), skal fedtfilterene rengøres.

- Når displayet **C** blinker og veksler mellem blæserhastigheden og bogstavet **A** (f.eks. **1** og **A**), skal de aktive kulfiltere vaskes eller udskiftes afhængigt af filtertypen.

Når filteret er sat på plads igen, skal den elektroniske hukommelse nulstilles ved at holde tasten **A** nede i ca. **5 sek.** indtil bogstaverne **F** eller **A** stopper med at blinke på displayet **C**.

- Hvis displayet **C** ikke holder op med at blinke, gentages handlingen med motoren tændt.

• **Kommandoer (Fig. 13):**

BEMÆRK: med denne kommando er det muligt at kontrollere apparatet også med en fjernbetjener, som kan fås som tilbehør.

Tast A = Tænd/sluk emhætten. Apparatet tændes ved hastighed 1.

Tast B = Sætter motorens hastighed ned.

Display C = Viser den indstillede motorhastighed og aktivering af timer/intensiv hastighed/signalering af filtrene.

Tast D = Sætter motorens hastighed op.

Ved at trykke på tast for hastighed 4 indsættes funktionen intensiv i 6 minutter, derefter går apparatet automatisk tilbage til den foregående indstillede hastighed ved aktivering. Under denne funktion blinker nummer 4 på displayet.

- hvis du ønsker at deaktivere funktionen inden de 6 minutter er gået tryk på tast **B**.

OBS! Nogle modeller arbejder kun op til hastighed 3, derfor er funktionen intensiv udeladt.

Tast E = Ved indstilling af en hvilken som helst af hastighederne 1-2-3 (på nær hastighed intensiv 4) aktiveres Timer funktionen, når man trykker på en af ovennævnte taster. Når Timer funktionen er aktiv på displayet, skal den indstillede hastighed blinke i det øjeblik timeren aktiveres.

Efter 15 minutter ved endt tælling slukker emhætten (motor og eventuelle tændte lys).

Hvis hastighed intensiv er i funktion, kan Timer ikke aktiveres. - Hvis du ønsker at deaktivere funktionen for de 15 minutter er gået tryk på tast **E**.

Tast F = Tænd/sluk lys.

• **Mætning af fedtfiltere/aktive kulfiltere:**

- Efter **30 h** drift, når displayet **C** blinker, og ændrer driftshastigheden med bogstavet **F** (fx **2** og **F**), skal fedtfilterene **ren-**

gøres.

- Efter **120 h** drift, når displayet **C** blinker, og ændrer driftshastigheden med bogstavet **C/F** (fx **2** og **C/F**), skal kulfiltrene rengøres eller **udskiftes**.

- Når det rene filter er sat på plads igen, skal den elektroniske hukommelse nulstilles med tændt emhætte, dette gøres ved at holde tast **B** nede i cirka **3 sek.**

Derefter kommer bogstavet **E** frem på **displayet** (bekræftelse af nulstilling udført) og emhætten slukkes.

FABRIKANTEN FRALÆGGER SIG ETHVERT ANSVAR FOR SKADER FORÅRSAGET AF MANGLENDE OVERHOLDELSE AF OVENSTÅENDE ADVARSLER.

YLEISTÄ

Lue ohjekirja huolellisesti, sillä se sisältää tärkeitä tietoa laitteen turvallisesta asennuksesta, käytöstä ja huollosta. Säilytä ohjekirja tulevaa tarvetta varten. Laite on suunniteltu toimimaan joko imevänä versiona (ilman poisto ulos - Kuva 1B), suodattavana versiona (ilman kierrätys sisällä - Kuva 1A) tai ulkoisella moottorilla toimivana versiona (Kuva 1C).

TURVAOHJEITA

1. Erityistä huomiota tulee kiinnittää siihen, ettei liesituuletin ole käytössä samanaikaisesti kuin tulipesä tai liesi, jotka ovat riippuvaisia huoneilmasta ja jotka käyttävät jotain muuta energianlähdettä kuin sähköä. Liesituuletin poistaa huone-tilasta ilmaa, jota tulipesä tai liesi tarvitsevat polttamiseen. Huonetilan negatiivinen ilmanpaine ei saa ylittää 4Pa (4x10⁻⁵ bar). Huonetilat on siis tuuletettava asianmukaisesti tuulettimen toiminnan varmistamiseksi. Ulkoista poistoa koskien tulee noudattaa asianomaisessa maassa voimassaolevia määräyksiä.

Ennen kuin yhdistät mallin sähköverkkoon:

-Huomioi sen tunnuskilvessä (löytyy laitteen sisäpuolelta) olevat tiedot tarkistaen että virran jännite ja voima vastaavat verkostoa, ja että pistorasia on sopiva. Jos olet epävarma ota yhteys pätevään sähkömieheen.

-Jos liitäntäjohto on vahingoittunut, se on vaihdettava laitteen valmistajan tai tämän teknisen huoltohenkilöstön toimesta uuteen liitosjohtoon tai sitä vastaavaan.

-Liitä laite sähkönsyöttöön pistokkeella, jossa on sulake (3 A), tai kaksivaiheisen järjestelmän kahteen johtoon, jotka on suojattu sulakkeella (3 A).

2. Varoitus!

Tietyissä tilanteissa sähkölaitteet voivat aikaansaada vaaratilanteen.

A) Älä tarkista suodattimien tilaa, kun liesituuletin on toiminnassa.

B) Älä kosketa lampuihin tai niiden lähialueille valaistuslaitteiston käytön aikana tai välittömästi sen käytön jälkeen.

C) On kielletty liekittävästä ruokia liesituulettimen alla.

D) Vältä avotulta, koska ne vahingoittavat suodattimia ja voivat aiheuttaa tulipaloja.

E) Tarkkaile jatkuvasti öljyssä paistettavia ruokia, jotta kiehuva öljy ei syty tuleen.

F) Irrota pistoke pistorasiasta ennen huollon suorittamista.

G) Laitetta ei ole suunniteltu lasten tai vajaikäykyisten käytettäväksi ilman valvontaa.

H) Valvo lapsia, jotta he eivät leiki laitteen kanssa.

I) Kun liesituuletinta käytetään samanaikaisesti laitteiden kanssa, jotka polttavat kaasua tai muita polttoaineita, huolehdi tilojen riittävästä ilmanvaihdosta.

L) Jos puhdistustoimenpiteitä ei suoriteta ohjeiden mukaisesti, on olemassa tulipalovaara.

Tämä laite on merkitty EU:n Waste Electrical and Electronic Equipment (WEEE) -direktiivin 2002/96/EC mukaisesti. Käyttäjää osallistuu mahdollisten terveydelle ja ympäristölle haitallisten seurausten ehkäisemiseen hävittäessään laitteen asianmukaisella tavalla.




Laitteen pakkauksessa mukana oleviin asiakirjoihin merkitty -merkki osoittaa ettei kyseinen laite kuulu talousjätteisiin, vaan se on varta vasten toimitettava sähkö- ja elektroniikkalaiteromun keräyspisteeseen kierrätystä varten. Hävitä laite noudattamalla paikkakuntasi jätehuoltoa koskevia säädöksiä. Lisätietoja tämän laitteen keräyksestä, käsittelystä ja kierrätyksestä ota yhteys paikkakuntasi jätehuoltoon, talousjätteen keräyspisteeseen tai liikkeeseen josta laite on hankittu.

ASENNUSOHJEET

• **Asennus ja sähköliitäntä on suoritettava siihen pätevän erikoishenkilöstön toimesta.**

• **Käytä suojakäsineitä ennen kuin aloitat asennustoimenpiteiden suorittamisen.**

• Sähköinen liitäntä:

-Jos kilvessä on tunnus , tämä tarkoittaa sitä, että laitetta ei tarvitse maadoittaa. Noudata siten eristysluokkaa II koskevia ohjeita.

-Jos kilvessä E_I ole tunnusta , noudata eristysluokkaa I koskevia ohjeita.

Eristysluokka II

-Laite on rakennettu II-luokassa, eivätkä kaapelit sen vuoksi saa olla liitettynä maajohtoon.

Pistoke tulee olla helposti saavutettavissa laitteen asennuksen jälkeen.

Mikäli laite on varustettu johdolla ilman pistoketta, sen liittämiseksi sähköverkkoon tulee laitteen ja verkon väliin asentaa moninapainen virrankatkaisija, jossa kontaktien minimiväli on 3 mm ja joka on mitoitettu kuormituksen mukaan ja joka on voimassa olevien määräysten mukainen.

-Liitännät sähköverkkoon on tehtävä seuraavalla tavalla:

RUSKEA = L vaihe

SININEN = N neutraali.


Eristysluokka I


Tämä laite on on valmistettu luokassa I, ja se on siksi kytkettävä maadoitettuun pistokkeeseen.

-Sähköverkkoon kytkeminen on suoritettava seuraavien ohjeiden mukaisesti:

RUSKEA = L vaihe

SININEN = N neutraali

KELTA/VIHREÄ =  maadoitus.

N-symbolilla merkitty sininen johdin N-liittimeen. **KELTA/VIHREÄ** johdin, joka on merkitty maadoitus-merkillä liitetään maadoitusmerkillä varustettuun liittimeen .

Sähköliitäntään yhteydessä on varmistettava että pistorasiassa maadoitettu pistoke. Liesituulettimen asennuksen jälkeen on varmistettava että sähköliitäntäpistoke on helposti saatavilla. Suorassa liitännässä sähköverkkoon, on laitteen ja verkon väliin laittettava moninapainen virrankatkaisija, jossa kontaktien minimiväli on 3 mm ja joka on mitoitettu kuormituksen mukaan ja joka on voimassa olevien määräysten mukainen.

• Keittopinnan kattilankannattimien ja hellakuvun minimietäisyyden on oltava vähintään **45 cm**. Mikäli joudutaan käyttämään kaksi- tai useampiosaisia liitosputkea, on ylemmän osan oltava alemman ulkopuolella.

Poistoilmaa ei saa johtaa kuumailmahormiin tai hormiin, jota käytetään savun poistamiseen laitteista, jotka toimivat jollakin muulla energianlähteellä kuin sähköllä.

- Jos asennetaan imevä hellakupu on ensin tehtävä ilmanpoistoaukko.

• Suositellaan käyttämään ilmanpoistoputkea, jonka halkaisija vastaa ilman ulostuloaukon mittoja. Pienentävien sovituskappaleiden käyttö voi alentaa tuotteen toimintatulosta ja lisätä meluisuutta.

Varoitus!

• Ennen asennustöiden suorittamista, liesituulettimen liikkuttamisen helpottamiseksi, suorita seuraavat toimenpiteet:

1. Irrota **rasvasuodatin** vetämällä kahvasta kuvassa 2 - vaihe 1 osoitettuun tapaan.

2. Jos tuote on varustettu **aktiivihiihisuodattimilla (B-C)**, irrota ne kuvassa 2 - vaihe 2B-2C.

3. Irrotakupu **M** kuvassa 2 - vaihe 4 osoitettuun tapaan.

• Asennus seinälle (Kuva 3):

Tee seinään merkki tuulettimen alaosan kohdalle kuva kuva 3 - vaihe 1 (huomioiden vähimmäisetäisyys keittotasosta).

- Aseta kiinnityssapluuna seinälle ollen tarkkana, että se on suorassa linjassa aiemmin seinään piirretyn viivan kanssa.

- Merkitse ja tee neljä kiinnitysreikää kuva 3 - vaihe 2.

- Kiinnitä neljä laajennustappia ja kaksi ruuvia **A-B** ruuvaamatta niitä loppuun asti kuva 3 - vaihe 2.

- Aseta laitteisto seinälle ja kiinnitä se lopullisesti vetämällä kahdesta ruuvista **B** kuva 3 - vaihe 3-4 ja kahdesta turvavuuvista **B** kuva 3 - vaihe 5.

- Eri asennuksissa käytä ruuveja ja proppuja, jotka sopivat asennettavaan seinätyyppiin (esim. betoniseinä, harkkoseinä jne.). Jos ruuvit ja proput ovat tulleet laitteen mukana, varmista että ne sopivat siihen seinätyyppiin, johon liesikupu on asennettava.

• Asennus seinälle LISÄVARUSTE (Kuva 4):

Tähän tuuletinmalliin on saatavilla lisävarusteena tasauspidikkeet. Pyydä lisätietoa jälleenmyyjältäsi.

Tee seinään merkki tuulettimen alaosan kohdalle kuva kuva 3 - vaihe 1 (huomioiden vähimmäisetäisyys keittotasosta).

- Aseta kiinnityssapluuna seinälle ollen tarkkana, että se on suorassa linjassa aiemmin seinään piirretyn viivan kanssa.

- Merkitse ja tee neljä kiinnitysreikää kuva 3 - vaihe 2.

- Ota kaksi tasauspidikettä **C** ja kiinnitä ne kuvun kehikkoon ruuveilla **D** kuten näytetty kuvassa 4 - vaihe 1. Varmista että 2 tasausruuvia **D** eivät ole ruuvattuna kiinni.

- Ota laite ja ripusta se kahden ruuvin **B** varaan kuva 4 - vaihe 2.

- Linjaa laite vaakasuoraan asentoon kahden tasausruuvin **D** avulla, kuva 4 - vaihe 3.

- Kun säätö on tehty, kiristä kaksi ruuvia **B** kuva 4 - vaihe 4, ja kiinnitä kupu seinään kahdella varmistusruuvilla **B** kuva 4 - vaihe 5.

- Eri asennuksissa käytä ruuveja ja proppuja, jotka sopivat asennettavaan seinätyyppiin (esim. betoniseinä, harkkoseinä jne.). Jos ruuvit ja proput ovat tulleet laitteen mukana, varmista että ne sopivat siihen seinätyyppiin, johon liesikupu on asennettava.

• Suodattava malli:

- Kytke kupu **M** irti ja ota ritilä **E** (Kuva 5) pois.

- Pujota virtajohto kuvassa **M** olevan aukon läpi, joka on osoi-

tettu Kuvassa 6.

- Ota kaapeliohjan **H** ja aseta se virtajohton ja reiän väliin.

- Aseta kupu **M** ja ritilä **E** takaisin paikoilleen ja ole varovainen, että se kytkeytyy täydellisesti kiinnitystappeihin **G** (Kuva 6). Suodattimet asennetaan tuulettimen sisäpuolella olevaan imuryhmään kiertäen niitä 90 astetta kunnes pidike naksahtaa (Kuva 10B).

• Lisävaruste:

Tähän liesituuletinmalliin voidaan liittää lisävarusteena koriste-hormi, joita voit tiedustella jälleenmyyjältä. Ennen koristehormien asentamista, irrota kupu ja ruuvaa auki 4 ruuvia **B**, jotka lukitsevat kiinnitystapit **G** Kuvassa 7 osoitettuun tapaan.

• Mallien asennus koristehormeilla:

Imevä malli

Valmistele virransyöttö koristehormin sisäpuolelle.

Liitä letkua **L** käyttämällä laippa **F** ilman ulostuloaukkoon (Kuva 7).

Säädä ylemmän koristehormia tukevan kannattimen leveys (Kuva 8).

Kiinnitä se sen jälkeen seinään siten, että se on samassa suunnassa hormisi kanssa ruuvien **A** avulla ja noudattamalla Kuvassa 8 osoitettua etäisyyttä.

Aseta ylempi koristehormi alemman koristehormin sisään ja aseta ne liesituulettimen päälle (Kuva 9).

Vedä ylempi koristehormi kannattimeen asti ja kiinnitä se ruuveilla **B** (Kuva 8).

Muuntaaksesi kuvun imevästä mallista suodattavaksi malliksi pyydä jälleenmyyjältämme aktiivihiihisuodattimia ja seuraa asennusohjeita.

• Suodattava versio:

Varoitukset!

- Jos halutaan muuttaa liesituuletin **IMEVÄSTÄ** versiosta **SUODATTAVAKSI** versioksi, tulee tilata lisävarusteena hiili-suodattimet jälleenmyyjältä.

Tarjolla on 3 erityyppistä sarjaa: hiilikasetit (Kuva 10B) sekä uudelleen käytettävät (pestävät) hiili-suodattimet (Kuva 10C - Kuva 10D).

- Hankkimasi mallin perusteella **PYÖREÄT** aktiivihiihisuodattimet on asennettava liesituulettimen sisälle sen keskelle kääntämällä niitä 90 astetta, kunnes ne napsahtavat paikalleen (Kuva 10B). Vaihda ne suorittamalla toimenpiteet päivänvaihtajissa järjestyksessä.

- **PESTÄVIÄ** (kuva10C) regeneroitavia aktiivihiihisuodattimia varten noudata PAKKAUKSESSA olevia asennusohjeita.

- Uudistuvien, **PESTÄVIEN PYÖREIDEN** aktiivihiihisuodattimien kohdalla (kuva 10D), poista patja ja noudata kappaleessa **KÄYTTÖ JA HUOLTO** annettuja ohjeita, "uudistuvat aktiivihiihisuodattimet".

KÄYTTÖ JA HUOLTO-OHJEET

• Suositellaan käynnistämään laite ennen minkä tahansa ruuan kypsennyksen aloittamista. On suositeltavaa antaa laitteen toimia vielä 15 minuuttia käytön jälkeen, jotta ruoanvalmistuksesta aiheutuneet käyrit saadaan kokonaan pois huonetilasta. Liesituulettimen hyvä toiminta riippuu oikeasta ja säännöllisestä huollosta; erityistä huomiota tulee kiinnittää rasvasuodattimeen ja aktiivihiihisuodattimeen.

• **Rasvasuodattimen** tehtävänä on pidättää ilmassa leijuvat rasvahiukkaset ja siksi se on altis tukkeutumaan ajanjaksoissa, jonka pituus vaihtelee laitteen käytön mukaan.

- Tulipalovaaran ennaltaehkäisemiseksi, pese rasvasuodattimet käsin vähintään 2 kuukauden välein neutraaleja ja hankaamattomia pesuaineita käyttämällä tai astianpesukoneessa alhaisessa lämpötilassa ja lyhyellä pesuohjelmalla.

- Muutamien pesukertojen jälkeen voi syntyä värinmuutoksia. Tämä ei oikeuta valituksen kautta osien mahdolliseen vaihtoon.

• **Aktiivihiihisuodattimia** käytetään ilman puhdistamiseen, joka palautetaan huoneeseen ja jonka tehtävänä on vähentää ruoanvalmistuksen aikana syntyviä epämiellyttäviä hajuja.

- Ei regeneroituvat aktiivihiihisuodattimet tulee vaihtaa korkeintaan 4 kuukauden välein. Aktiivihiihen kyllästyminen riippuu laitteen käyttäjasta, ruoanvalmistustavasta ja rasvasuodattimen puhdistusvälytyksestä.

- Aktiivihiihisuodattimet tulee pestä käsin, neutraaleja ja hankaamattomia pesuaineita käyttämällä tai astianpesukoneessa korkeintaan 65°C lämpötilassa (pesujakso tulee suorittaa kokonaan ilman astioita). Poista ylimääräinen vesi vahingoittamatta suodatinta, irrota muoviosat, anna pehmusteen kuivua uunissa vähintään 15 minuutin ajan korkeintaan 100°C lämpötilassa. Säilyttääksesi regeneroitavan hiihisuodattimen toiminnan tehokkaana, suorita tämä toimenpide 2 kuukauden välein. Ne tulee vaihtaa korkeintaan 3 vuoden välein tai kun pehmuste vahingoittuu.

• **Ennen rasvasuodattimien ja regeneroitavien aktiivihiihisuodattimien asentamista on tärkeää, että ne ovat kuivuneet kunnolla.**

• **Puhdista liesituuletin säännöllisesti sekä sisältä että ulkoa käyttäen riepua, joka on kostutettu denaturoidulla alkoholilla tai nestemäisillä neutraaleilla ei-hankaavilla pesuaineilla.**

• Valaistuslaitteisto on suunniteltu käytettäväksi ruokien kypsennyksen aikana eikä pitkäaikaisen ympäristön yleiseen valaisuun. Valaistuksen pitkäaikainen käyttö vähentää huomattavasti lampujen keskimääräistä käyttöikää.

• Jos laite on varustettu **hajavalolla**, sitä voidaan käyttää pitkäaikaiseen ympäristön yleiseen valaisuun.

• **Varoitus:** liesituulettimen puhdistukseen ja vaihtoon sekä suodattimien puhdistukseen kuuluvien ohjeiden noudattamatta jättäminen aiheuttaa tulipalovaaran. Näin ollen suositellaan annettujen ohjeiden noudattamista.

• **Halogeenilampujen vaihtaminen (Kuva 11A):**

Halogeenilampujen **B** vaihtamiseksi ota pois lasi **C** käyttäen viputukena asianmukaisia aukkoja. Vaihda tilalle vastaavan tyyppiset lamput. **Varoitus:** älä koske lampuun paljain käsin.

• **LED-valojen vaihtaminen (Kuva 11B):**

Jos malli on varustettu **LED**-valoilla, toimenpiteen saa suorittaa ammattitaitoinen tekniikko.

• **Ohjaimet (Kuva 12):**

Näppäin A = Syyttää/sammuttaa valot.

Näppäin B = Käynnistää/sammuttaa kuvun. Laite käynnistyy ensimmäiselle nopeudelle. Jos liesikupu on päällä paina näppäintä 2 sek. ajan ja sen toiminta lakkaa. Jos laite toimii ykkösnopeudella, näppäintä ei tarvitse pitää alas painettuna laitetta sammuttaessa. Laskee moottorin nopeutta.

Näyttö C = Ilmoittaa valitun moottorin nopeuden ja ajastimen aktiivoinnin.

Näppäin D = Käynnistää kuvun. Nostaa moottorin nopeutta. Painamalla näppäintä kolmannella nopeudella laite toimii täydellä teholla 6 sekunnin ajan, sen jälkeen laite alkaa toimia aktiivoidulla nopeudella. Tämän toiminnon ajan näyttö

valo vilkkuu.

Näppäin E = Ajastin ajastaa toiminnot käynnistämishetkellä 15 minuutin ajaksi. Sen jälkeen toiminnot sammuvat. Ajastin lakkaa toimimasta kun painat uudelleen näppäintä **E**. Kun ajastintoiminto on päällä desimaalipisteen on välkyttävä näyttöllä. Jos tehonopeustoiminto on päällä ajastinta ei voida käynnistää.

Painamalla näppäintä **E** 2 sekunnin ajan, laitteen ollessa sammuksissa, "**clean air**"-toiminto käynnistyy. Tämä toiminto käynnistää moottorin joka tunti, 10 minuutin ajaksi ykkösnopeudella. Toiminnan aikana näyttöön reunoilla tulee näkyä pyörivä liike. Tämän ajan kuluttua moottori sammuu ja näyttöllä tulee näkyä "**C**"-kirjain seuraavien 50 minuutin ajan kunnes moottori taas käynnistyy seuraaviksi 10 minuutiksi ja niin edelleen. Normaali-toimintaan palaamiseksi paina mitä tahansa näppäintä valonäppäintä lukuun ottamatta. Kytke toiminto pois päältä painamalla **E**-näppäintä.

• **Rasva-/aktiivihiihisuodattimien täyttäminen:**

-Kun näyttö **C** vilkkuu ja siihen tulevat näkyviin vuorotellen toimintanopeus ja kirjain **F** (esim. **1 ja F**), rasvasuodattimet tulee pestä.

-Kun näyttöllä **C** vilkkuu vuorotellen käyttönopeus ja kirjain **A** (esim. **1 ja A**) aktiivihiihisuodattimet on vaihdettava tai pestävä suodatintyyppiin mukaan.

Kun puhdas suodatinta on liitetty, tulee elektroninen muisti nollata painaen painiketta **A** noin **5 sekunnin** ajan, kunnes näyttö **C** ilmoitus **F** tai **A** lakkaa vilkkumasta.

- Jos näyttö **C** ei lakkaa vilkkumasta, toista toimenpide moottorin ollessa käynnissä.

• **Ohjaukset (kuva 13):**

HUOM: tällä ohjauksella on mahdollista ohjata laitetta myös lisävarusteena saatavalla kaukosäätimellä.

Painike A = Käynnistää/sammuttaa liesituulettimen. Laite käynnistyy 1. nopeudelle.

Painike B = Laskee moottorin nopeutta.

Näyttö C = Osoittaa valitun moottorin nopeuden ja ajastimen aktiivoinnin/tehostetun nopeuden/suodattimien ilmoituksen.

Painike D = Nostaa moottorin nopeutta.

Painamalla 4. nopeuden painiketta tehostettu toiminto käynnistyy 6 minuutin ajaksi, minkä jälkeen laite palaa käynnistyshetkellä käytössä olleelle nopeudelle. Tämän toiminnon aikana näyttöllä vilkkuu numero 4.

- Jos haluat kytkeä toiminnon pois päältä ennen kuin 6 minuuttia on kulunut paina painiketta **B**.

Huomio! Jotkut mallit toimivat vain 3. nopeuteen saakka, jolloin tehostettua toimintoa ei ole käytettävissä.

Painike E = Minkä tahansa nopeuden 1-2-3 ollessa kytkettyinä (paitsi tehostettu nopeus 4), painettaessa tätä painiketta Ajastin-toiminto aktivoituu. Kun Ajastin on aktivoitu, näyttöllä on vilkkuva ajastimen aktiivointihetkellä asetettu nopeus. 15 min jälkeen liesituuletin sammuu (moottori ja mahdolliset palavat valot).

Jos käytössä on tehostettu nopeus, Ajastin-toimintoa ei voi aktivoida.

- Jos haluat kytkeä toiminnon pois päältä ennen kuin 15 minuuttia on kulunut paina painiketta **E**.

Painike F = Valojen syytys/sammutus.

• **Rasvanpoisto-/aktiivihiihisuodattimen täyttymisilmoitus aktivoitu:**

- **30 h** toimintatunnin jälkeen, kun näyttöllä **C** vilkkuu vaihte-

levalla nopeudella kirjain **F** (esim. **2** ja **F**), tämä tarkoittaa, että **rasvanpoistosuodattimet on pestävä.**

- **120 h** toimintatunnin jälkeen, kun näytöllä **C** vilkkuu vaihtelevalla nopeudella kirjain **C/F** (esim. **2** ja **C/F**), tämä tarkoittaa, että **aktiivihiihisuodattimet** on pestävä tai vaihdettava.

- Kun puhdas suodatin on palautettu paikalleen, käynnissä olevan liesituulettimen elektroninen muisti on nollattava painamalla painiketta **B** noin **3 sekunnin ajan.**

Kun tämä aika on kulunut, näytölle ilmestyy kirjain **E** (vahvistus nollauksesta) ja liesituuletin sammuu.

LAITTEEN VALMISTAJA EI OLE VASTUUSSA VAHINGOISTA, JOTKA OVAT AIHEUTUNEET YLLÄMAINITTUJEN OHJEIDEN LAIMINLYÖNNISTÄ.

GENIKA

Διαβάστε προσεκτικά το περιεχόμενο των οδηγιών, διότι παρέχει σημαντικές υποδείξεις που αφορούν την ασφάλεια της εγκατάστασης της χρήσης και της συντήρησης. Φυλάξτε το φυλλάδιο για ενδεχόμενες συμβουλές. Η συσκευή σχεδιάστηκε για χρήση σε έκδοση απορρόφησης (εκκένωση αέρα προς το εξωτερικό - Εικ.1Β), διήθησης (ανακύκλωση αέρα στο εσωτερικό - Εικ.1Α) ή με εξωτερικό κινητήρα (Εικ.1C).

ΥΠΟΔΕΙΞΕΙΣ ΑΣΦΑΛΕΙΑΣ

1. Προσοχή σε περίπτωση που λειτουργούν ταυτόχρονα απορροφητήρας απορρόφησης και καυστήρας ή μια εστία που εξαρτώνται από τον αέρα του περιβάλλοντος και τροφοδοτούνται από ενέργεια όχι ηλεκτρική διότι ο απορροφητήρας απορροφώντας αφαιρεί από το περιβάλλον τον αέρα που έχουν ανάγκη για την καύση ο καυστήρας ή η εστία. Η αρνητική πίεση στο χώρο δεν πρέπει να ξεπερνά τα 4ΡΑ (4x10-5bar). Για σίγουρη ασφαλές λειτουργία του απορροφητήρα, οφείλεται να υπάρχει κατάλληλος αερισμός στο χώρο. Για την εξωτερική εκκένωση ακολουθήστε τις ισχύοντες προδιαγραφές της χώρας.

Πριν συνδέσετε το μοντέλο στο ηλεκτρικό δίκτυο:

- Ελέγξτε την πινακίδα στοιχείων (που βρίσκεται στο εσωτερικό της συσκευής) για να βεβαιωθείτε ότι η τάση και η ισχύς της συσκευής αντιστοιχούν στο ηλεκτρικό σας δίκιο καθώς και για την καταλληλότητα του ηλεκτρικού βύσματος. Σε περίπτωση δυσκολιών επικοινωνήστε με έναν ειδικευμένο ηλεκτρολόγο.
- Αν το καλώδιο τροφοδοσίας είναι χαλασμένο, πρέπει να αντικατασταθεί από ένα καλώδιο ή ένα ειδικό σύστημα, διαθέσιμο από τον κατασκευαστή ή την υπηρεσία του τεχνικής υποστήριξης.
- Συνδέστε τη διάταξη στην τροφοδοσία μέσω ενός βύσματος με ασφάλεια 3Α ή στα δύο καλώδια του διφασικού προστατευόμενα από μια ασφάλεια 3Α.

2. ΠΡΟΣΟΧΗ!

Σε ορισμένες περιπτώσεις οι ηλεκτρικές συσκευές μπορεί να αποτελούν κίνδυνο.

- A) Μην ελέγχετε την κατάσταση των φίλτρων όσο ο απορροφητήρας είναι σε λειτουργία.**
B) Μην αγγίζετε τις λυχνίες ή τις γειτονικές περιοχές κατά ή αμέσως μετά την παρατεταμένη χρήση της εγκατάστασης φωτισμού.
C) Απαγορεύεται να μαγειρεύετε τρόφιμα σε φλόγα κάτω από τον απορροφητήρα.
D) Αποφύγετε ελεύθερες φλόγες διότι προκαλούν ζημιά στα φίλτρα και μπορούν να προκαλέσουν πυρκαγιάς.
E) Να διατηρείτε συνεχώς υπό έλεγχο το τηγάνισμα των τροφίμων για να μη πάρει φωτιά το καυτό λάδι.
F) Αποσυνδέστε το βύσμα από την ηλεκτρική πρίζα πριν προχωρήσετε στη συντήρηση.
G) Η συσκευή δεν προορίζεται για να χρησιμοποιείται από παιδιά ή άτομα ανίκανα χωρίς επιτήρηση.
H) Να επιτηρείτε τα παιδιά για να είστε βέβαιοι ότι δεν παίζουν με τη συσκευή.
I) Όταν ο απορροφητήρας χρησιμοποιείται ταυτόχρονα με συσκευή που κάνει αέριο ή άλλα καύσιμα, ο χώρος πρέπει να αερίζεται δεόντως.
L) Αν οι εργασίες καθαρισμού δεν εκτελούνται σύμφωνα

με τις οδηγίες, υπάρχει κίνδυνος να προκληθεί πυρκαγιά.

Η συσκευή αυτή είναι χαρακτηρισμένη σύμφωνα με την Ευρωπαϊκή Οδηγία 2002/96/EC, Waste Electrical and Electronic Equipment (WEEE). Ο χρήστης με το να διαθέτει το προϊόν αυτό ως απόρριμμα με τον ενδεδειγμένο τρόπο συμβάλει στην αποφυγή αρνητικών συνεπειών για το περιβάλλον και την υγεία.



Το σύμβολο στο προϊόν ή στην τεκμηρίωση που το συνοδεύει δείχνει ότι το προϊόν αυτό δεν πρέπει να αντιμετωπίζεται ως απόρριμμα οικιακό αλλά πρέπει να παραδίδεται σε κατάλληλα σημεία συλλογής για την ανακύκλωση ηλεκτρικών και ηλεκτρονικών συσκευών. Διαθέστε το ως απόρριμμα τηρώντας τους κατά τόπους κανονισμούς για τη διάθεση των απορριμμάτων. Για περαιτέρω πληροφορίες για τη μεταχείριση, την ανάκτηση και την ανακύκλωση του προϊόντος αυτού, επικοινωνήστε με το αρμόδιο τοπικό γραφείο, την υπηρεσία συλλογής οικιακών απορριμμάτων ή το κατάστημα από το οποίο αγοράσατε το προϊόν αυτό.

ΟΔΗΓΙΕΣ ΕΓΚΑΤΑΣΤΑΣΗΣ

• Οι διαδικασίες τοποθέτησης και ηλεκτρικής σύνδεσης πρέπει να γίνονται από ειδικευμένο προσωπικό.
• χρησιμοποιήστε προστατευτικά γάντια πριν προχωρήσετε στις εργασίες συναρμολόγησης

• Ηλεκτρική σύνδεση:


Σημείωση! Ελέγξτε την πινακίδα δεδομένων που βρίσκεται στο εσωτερικό της συσκευής:
 - Αν στην πινακίδα εμφανίζεται το σύμβολο σημαίνει ότι η συσκευή δεν πρέπει να συνδέεται σε γείωση, συνεπώς εκτελέστε τις οδηγίες που αφορούν την κατηγορία μόνωσης II.
 - Αν στην πινακίδα ΔΕΝ εμφανίζεται το σύμβολο εκτελέστε τις οδηγίες που αφορούν στην κατηγορία μόνωσης I.

Κατηγορία μόνωσης II

- Η συσκευή ανήκει στο τύπο II, που σημαίνει πως κανένα καλώδιο δεν πρέπει να συνδεθεί με την γείωση.
 Το βύσμα πρέπει να είναι εύκολα προσβάσιμο μετά την εγκατάσταση της συσκευής.
 Στην περίπτωση που η συσκευή διαθέτει καλώδιο χωρίς βύσμα, για να το συνδέσετε στο ηλεκτρικό δίκτυο είναι αναγκαίο να μεσολαβεί μεταξύ της συσκευής και του ηλεκτρικού δικτύου ένας πανοπλικός διακόπτης με ελάχιστο άνοιγμα μεταξύ των επαφών 3mm, επαρκής για το φορτίο και σύμφωνος με τους ισχύοντες κανονισμούς.
 - Η σύνδεση στο δίκτυο θα πρέπει να γίνει ως εξής:
 ΚΑΦΕ: γραμμική L
 ΜΠΛΕ: N ουδέτερη γραμμή.

Κατηγορία μόνωσης I

Η συσκευή αυτή κατασκευάστηκε ως κατηγορία I, για αυτό πρέπει να συνδέεται στη γείωση.
 - Η σύνδεση στο ηλεκτρικό δίκτυο πρέπει να διενεργείται ως ακολούθως:
 ΚΑΦΕ = L γραμμική
 ΜΠΛΕ = N ουδέτερο
 ΚΙΤΡΙΝΟ/ΠΡΑΣΙΝΟ = γείωση.
 Το ουδέτερο καλώδιο πρέπει να συνδέεται στον ακροδέκτη με το σύμβολο N ενώ το ΚΙΤΡΙΝΟ/ΠΡΑΣΙΝΟ καλώδιο, πρέπει

να συνδέεται στον ακροδέκτη πλησίον του συμβόλου της γείωσης .

Στη διαδικασία ηλεκτρικής σύνδεσης βεβαιωθείτε ότι η ηλεκτρική πρίζα διαθέτει σύνδεση γείωσης. Μετά τη συναρμολόγηση του απορροφητήρα, προσέξτε ώστε η θέση της ηλεκτρικής πρίζας να είναι εύκολα προσβάσιμη. Στην περίπτωση άμεσης σύνδεσης στο ηλεκτρικό δίκτυο είναι αναγκαίο να μεσολαβεί μεταξύ της συσκευής και του ηλεκτρικού δικτύου ένας πανπολικός διακόπτης με ελάχιστο άνοιγμα μεταξύ των επαφών 3mm, ικανό για το φορτίο και σύμφωνο με τους ισχύοντες κανονισμούς.

• Η ελάχιστη απόσταση από την επιφάνεια στήριξης των συσκευών μαγειρέματος στις εστίες και το χαμηλότερο τμήμα του απορροφητήρα της κουζίνας πρέπει να είναι ίση με τουλάχιστον **45 cm**. Σε περίπτωση που χρησιμοποιηθεί σωλήνας κομμάτια, θα πρέπει το πάνω μέρος να περαστεί πάνω από το κάτω μέρος. Σε καμία περίπτωση δεν πέπει ο σωλήνας απορρόφησης να συνδεθεί με σωλήνα, ο οποίος χρησιμοποιείτε για εκκένωση καπνού συσκευών που τροφοδοτούνται από ενέργεια όχι ηλεκτρική.

- Στην περίπτωση συναρμολόγησης της συσκευής στην έκδοση για απορρόφηση τοποθετήστε την οπή εξαγωγής αέρα.

• Συνιστάται η χρήση ενός σωλήνα εκκένωσης αέρα ίδιας διαμέτρου με το στόμιο εξόδου αέρα. Η χρήση προσαρμοστικού θα μπορούσε να μειώσει την επιδόσεις του προϊόντος και να αυξήσει τη θορυβότητα.

Προσοχή!

• Πριν προχωρήσετε με τη διαδικασία συναρμολόγησης, για έναν πιο εύκολο χειρισμό του απορροφητήρα, ακολουθήστε τις ακόλουθες εργασίες:

1. Αφαιρέστε το **φίλτρο για τα λίπη** τραβώντας τη λαβή όπως φαίνεται στην εικόνα 2 - φάση 2.
2. Αν το προϊόν διαθέτει **φίλτρα ενεργού άνθρακα (B-C)**, αφαιρέστε τα όπως φαίνεται στην εικόνα 2 - φάση 2B-2C.
3. Αποσυνδέστε το **μικρό θόλο M** όπως φαίνεται στην εικόνα 2 - φάση 4.

• Στερέωση σε τοίχο (Εικ.3)

Χαράξτε το κάτω πλευρό του απορροφητήρα στον τοίχο εικόνα 3 - φάση 1 (λαμβάνοντας υπόψη την ελάχιστη απόσταση από το πλαίσιο μαγειρέματος).

- Τοποθετήστε το σχέδιο στερέωσης στον τοίχο, προσέχοντας ώστε η γραμμή να συμπίπτει με εκείνη που χαράξατε στην προηγούμενη παράγραφο.

- Σημαδεύστε και πραγματοποιήστε τις 4 διατρήσεις σύσφιξης εικόνα 3 - φάση 2.

- Στηρίξτε τα 4 ούπα επέκτασης και τις 2 βίδες **A-B** χωρίς να βιδώσετε πλήρως εικόνα 3 - φάση 2.

- Τοποθετήστε την συσκευή στον τοίχο και στηρίξτε οριστικά τραβώντας τις 2 βίδες **B** εικόνα 3 - φάση 3-4 και τις 2 βίδες ασφαλείας **B** εικόνα 3 - φάση 5.

- Για τις διάφορες συναρμολογήσεις χρησιμοποιήστε βίδες και ούπας διαστολής κατάλληλα για τον τύπο του τοίχου (π.χ. μπeton armé, γύψο, κλπ).

- Στην περίπτωση που οι βίδες και τα ούπας σας παρέχονται με το προϊόν βεβαιωθείτε ότι είναι κατάλληλα για τον τύπο του τοίχου στον οποίο θα στερεωθεί ο απορροφητήρας.

• Στερέωση σε τοίχο ΠΡΟΑΙΡΕΤΙΚΟ (Εικ.4)

Αυτό το μοντέλο του απορροφητήρα μπορεί να έχει

προαιρετικούς βραχίονες οριζοντίωσης που θα πρέπει να ζητήσετε από το μεταπωλητή σας.

Χαράξτε το κάτω πλευρό του απορροφητήρα στον τοίχο εικόνα 3 - φάση 1 (λαμβάνοντας υπόψη την ελάχιστη απόσταση από το πλαίσιο μαγειρέματος).

- Τοποθετήστε το σχέδιο στερέωσης στον τοίχο, προσέχοντας ώστε η γραμμή να συμπίπτει με εκείνη που χαράξατε στην προηγούμενη παράγραφο.

- Σημαδεύστε και πραγματοποιήστε τις 4 διατρήσεις σύσφιξης εικόνα 3 - φάση 2.

- Πάρτε τους δύο βραχίονες οριζοντίωσης **C** και στερεώστε τους στο υποστήριγμα του απορροφητήρα με τις βίδες **D** όπως υποδεικνύεται στην εικόνα 4 - φάση 1, προσέξτε ούτως ώστε οι 2 βίδες οριζοντίωσης **D** να μην είναι σφιγμένες.

- Πάρτε τη συσκευή και αναρτήστε την στις δύο βίδες **B** εικόνα 4 - φάση 2.

- Ευθυγραμμίστε τη συσκευή σε οριζόντια θέση ρυθμίζοντας τις δύο βίδες οριζοντίωσης **D** εικόνα 4 - φάση 3.

- Μόλις επιτευχθεί η ρύθμιση σφίξτε τις 2 βίδες **B** εικόνα 4 - φάση 4 και στερεώστε οριστικά τον απορροφητήρα στον τοίχο με τις δύο βίδες ασφαλείας **B** εικόνα 4 - φάση 5.

- Για τις διάφορες συναρμολογήσεις χρησιμοποιήστε βίδες και ούπα κατάλληλα για τον τύπο του τοίχου (π.χ. οπλισμένο σκυρόδεμα, χαρτόνι, κλπ).

Στην περίπτωση που οι βίδες και τα ούπα παρέχονται με το προϊόν βεβαιωθείτε ότι αυτά είναι κατάλληλα για τον τύπο του τοίχου στον οποίο θα στερεωθεί ο απορροφητήρας.

• Έκδοση αναρρόφησης:

- Απαγκιστρώστε το κάλυμμα **M** και αφαιρέστε τη σχάρα **E** (Εικ.5).

- Περάστε το καλώδιο τροφοδοσίας στην οπή του καλύμματος **M** όπως δείχνει η Εικ.6.

- Πάρτε τη φίμωση καλωδίου **H** και τοποθετήστε την μεταξύ του καλωδίου τροφοδοσίας και της υποδοχής.

- Επανατοποθετήστε το μικρό θόλο **M** και το πλέγμα **E** προσέχοντας έτσι ώστε να συνδεθεί τέλεια στους πείρους στερέωσης **G** (Εικ.6).

Τα φίλτρα θα πρέπει να εφαρμόζονται στην ομάδα απορρόφησης που βρίσκεται στο εσωτερικό του απορροφητήρα τοποθετώντας τα στο κέντρο του απορροφητήρα και περιστρέφοντάς τα κατά 90 μοίρες έως το κλικ του σταματήματος (Εικ.10B).

• Προαιρετικό:

Αυτό το μοντέλο απορροφητήρα μπορεί προαιρετικά να έχει διακοσμητικές καμινάδες που θα ζητήσετε από τον μεταπωλητή σας.

Πριν τοποθετήσετε τις διακοσμητικές καπνοδόχους, αφαιρέστε το κάλυμμα και ξεβιδώστε τις 4 βίδες **B** που μπλοκάρουν τους πείρους στερέωσης **G** όπως δείχνει η Εικ.7.

• Εγκατάσταση για μοντέλα με διακοσμητική καπνοδόχο: Έκδοση αναρρόφησης

ορίστε την ηλεκτρική τροφοδοσία εντός των διαστάσεων της διακοσμητικής καπνοδόχου.

Συνδέστε με έναν εύκαμπτο σωλήνα **L**, τη φλάντζα **F** στην οπή εκκένωσης αέρα (Εικ.7).

Ρυθμίστε το πλάτος της δοκού στηρίγματος της άνω διακοσμητικής καπνοδόχου (Εικ.8).

Στη συνέχεια στερεώστε την στον τοίχο με τρόπο που να βρίσκεται σε άξονα με τον απορροφητήρα από τις βίδες **A** και τριτώντας την απόσταση που υποδεικνύεται στην Εικ.8.

Περάστε τη διακοσμημένη πάνω καπνοδόχο στο εσωτερικό της διακοσμημένης κάτω καπνοδόχου και στερεώστε τες πάνω

στον απορροφητήρα (Εικ.9).

Αφαιρέστε το άνω διακοσμητική καπνοδόχο μέχρι το στήριγμα και στερεώστε από τις βίδες **B** (Εικ.8).

Για να μετατρέψετε τον απορροφητήρα από έκδοση απορρόφησης σε έκδοση διήθησης, ζητήστε από τον μεταπωλητή σας τα φίλτρα ενεργού άνθρακα και ακολουθήστε τις οδηγίες συναρμολόγησης.

• Έκδοση φίλτρου αερισματος:

Προσοχή!

- Για να μετατρέψετε τον απορροφητήρα από έκδοση **ΑΠΟΡΡΟΦΗΣΗΣ** σε έκδοση **ΦΙΛΤΡΑΡΙΣΜΑΤΟΣ** τα φίλτρα άνθρακα πρέπει να παραγγέλονται στον μεταπωλητή σας ως αξεσουάρ. Έχουμε διαθέσιμα διάφορα κιτ, ένα με φίλτρα άνθρακα συρταρωτά (Εικ.10B) και το άλλο με τα φίλτρα άνθρακα αναγεννήσιμα (μπορούν να πλένονται) (Εικ.10C - Εικ.10D).

- Με βάση το μοντέλο που κατέχετε, τα **ΚΥΚΛΙΚΑ** φίλτρα ενεργού άνθρακα, πρέπει να εφαρμόζονται στο σύστημα αναρρόφησης που βρίσκεται στο κέντρο στο εσωτερικό του απορροφητήρα και με περιστροφή κατά 90 μοίρες μέχρι το κλικ στάσης (Εικ.10B), για την αντικατάσταση εκτελέστε την αντίστροφη διαδικασία.

- Για τα ανανεώσιμα φίλτρα ενεργού άνθρακα **ΠΟΥ ΚΑΘΑΡΙΖΟΝΤΑΙ** (Εικ.10C), ακολουθήστε τις οδηγίες συναρμολόγησης που περιέχονται στο ΚΙΤ.

- Για τα **ΚΥΚΛΙΚΑ** ανανεώσιμα φίλτρα ενεργού άνθρακα **ΠΟΥ ΠΛΕΝΟΝΤΑΙ** (Εικ.10D), βγάλτε το στρωματάκι και ακολουθήστε τις οδηγίες που υποδεικνύονται στην παράγραφο ΧΡΗΣΗ ΚΑΙ ΣΥΝΤΗΡΗΣΗ, "ανανεώσιμα φίλτρα ενεργού άνθρακα".

ΧΡΗΣΗ ΚΑΙ ΣΥΝΤΗΡΗΣΗ

• Συνιστάται να θέτετε σε λειτουργία τη συσκευή πριν προχωρήσετε στο μαγείρεμα κάποιου τροφίμου. Συστήνεται να αφήνετε τη συσκευή να λειτουργεί για 15 λεπτά αφού τελειώσετε το μαγείρεμα των τροφίμων, για πλήρη εκκένωση του μολυσμένου αέρα. Η καλή λειτουργία του απορροφητήρα εξαρτάται από τη σωστή και συνεχή συντήρηση. Ιδιαίτερη προσοχή πρέπει να δοθεί στο φίλτρο συγκράτησης λίπους και στο φίλτρο ενεργού άνθρακα.

• Το φίλτρο συγκράτησης λίπους έχει ως σκοπό τη συγκράτηση των λιπαρών σωματιδίων που αιωρούνται στον αέρα, συνεπώς υπόκειται σε έμφραξη σε χρονικά διαστήματα που ποικίλουν ανάλογα με τη χρήση της συσκευής.

- Προκειμένου να αποφευχθεί κάθε κίνδυνος πυρκαγιάς, το ανώτερο κάθε 2 μήνες, είναι απαραίτητο να πλένετε τα φίλτρα αντιγράσου στο χέρι, χρησιμοποιώντας ρευστά ουδέτερα απορρυπαντικά, ή σε πλυντήριο πιάτων σε χαμηλές θερμοκρασίες και σε σύντομες πλύσεις.

- Μετά από μερικές πλύσεις, μπορεί να διαπιστωθούν αλλοιώσεις του χρώματος. Το γεγονός αυτό δεν αποτελεί λόγο διαμαρτυρίας για τυχόν αντικατάστασή τους.

• Τα ενεργά φίλτρα άνθρακα χρησιμοποιούνται για τον καθαρισμό του αέρα που ανακυκλώνεται στο περιβάλλον και έχει τη λειτουργία να μειώνει τις δυσάρεστες οσμές που προκαλούνται από το μαγείρεμα.

- Τα μη ανανεώσιμα ενεργά φίλτρα άνθρακα πρέπει να αντικαθίστανται κάθε 4 μήνες το ανώτερο. Ο κορεσμός του ενεργού άνθρακα εξαρτάται περίπου από τη διάρκεια χρήσης της συσκευής, από τον τύπο της κουζίνας και από τη συχνότητα με την οποία γίνεται ο καθαρισμός του φίλτρου αντιγράσου.

- Τα αντικαταστάσιμα ενεργά φίλτρα άνθρακα πρέπει να πλένονται στο χέρι, με λειαντικά ουδέτερα καθαριστικά, ή στο πλυντήριο πιάτων σε μέγιστη θερμοκρασία των 65°C (ο κύκλος πλύσης

πρέπει να ολοκληρωθεί χωρίς οικιακά σκεύη). Αφαιρέστε το υπερβολικό νερό χωρίς να καταστρέψετε το φίλτρο, βγάλτε τα μέρη από πλαστικό, και στεγνώστε το στρωματάκι στο φούρνο για περίπου 15 λεπτά και στη μέγιστη θερμοκρασία των 100°C. Για να διατηρήτε τη αποτελεσματική τη λειτουργία του ανανεώσιμου φίλτρου άνθρακα πρέπει να επαναλαμβάνετε αυτή τη λειτουργία κάθε 2 μήνες. Αυτά πρέπει να αντικαθίστανται το ανώτερο κάθε 3 χρόνια ή όταν το στρωματάκι έχει καταστραφεί.

• **Πριν επανατοποθετήσετε τα φίλτρα αντιγράσου και τα ενεργά ανανεώσιμα φίλτρα άνθρακα προσέξτε αυτά να έχουν στεγνώσει καλά.**

• **Να καθαρίζετε συχνά τον απορροφητήρα, εσωτερικά και εξωτερικά, χρησιμοποιώντας ένα βρεγμένο πανί με μετουσιωμένο οινόπνευμα ή υγρά ουδέτερα απορρυπαντικά μη αποξυστικά.**

• Η εγκατάσταση φωτισμού σχεδιάστηκε για να χρησιμοποιείται κατά το μαγείρεμα και όχι για γενικό παρατεταμένο φωτισμό του χώρου. Η παρατεταμένη χρήση του φωτισμού μειώνει σημαντικά τη μέση διάρκεια των λυχνιών.

• Αν η συσκευή είναι εξοπλισμένη με φωτισμό περιβάλλοντος αυτός μπορεί να χρησιμοποιηθεί για παρατεταμένη χρήση γενικού φωτισμού του περιβάλλοντος.

• **Προσοχή:** Η μη τήρηση των προειδοποιήσεων για την καθαριότητα του απορροφητήρα και την αντικατάσταση και καθαρισμό των φίλτρων μπορεί να προκαλέσει πυρκαγιά. Σας συνιστούμε κατά συνέπεια να ακολουθείτε προσεκτικά τις οδηγίες που προτείνονται.

• Αντικατάσταση των λυχνιών αλογόνου (Εικ.11A):

Για την αντικατάσταση των λυχνιών αλογόνου **B** βγάλτε το γυαλάκι **C** κάνοντας αντίσταση στις σχετικές εσοχές. Αντικαταστήστε με λυχνίες ίδιου τύπου. **Προσοχή:** μην αγγίζετε τη λυχνία με γυμνά χέρια.

• Αντικατάσταση των λαμπτήρων LED (Εικ.11B):

Αν η έκδοση της συσκευής είναι με λαμπτήρες **LED** για την αντικατάσταση χρειάζεται η επέμβαση ενός ειδικευμένου τεχνικού.

• Εντολές (Εικ.12):

Πληκτρο A = αναβεί/σβηνει τα φωτα.

Πληκτρο B = αναβεί/σβηνει τον απορροφητήρα. Η συσκευή αναβει στην 1^η ταχύτητα. Εάν ο απορροφητήρας είναι αναμμένος πατήστε το πληκτρο για 2 δευτ. για να σβήσει. Εάν ο απορροφητήρας βρίσκεται στην 1^η ταχύτητα δεν είναι αναγκαίο να κρατάς πατημένο το πληκτρο για να σβήσει. Ελαττώνει την ταχύτητα του κινητήρα.

Display C = δείχνει την ταχύτητα επιλογής του κινητήρα και την ενεργοποίηση του timer.

Πληκτρο D = αναβει τον απορροφητήρα. Αυξάνει την ταχύτητα του κινητήρα. Πατώντας το πληκτρο από την 3^η ταχύτητα εισαγάγει η εντατική λειτουργία για 6', μετά η συσκευή ξαναγυρίζει να λειτουργεί στην ταχύτητα που λειτουργούσε την στιγμή της ενεργοποίησης. Κατά την διάρκεια αυτής της λειτουργίας το display αναβασβηνει.

Πληκτρο E = Το Timer ρυθμίζει χρονικά τις λειτουργίες, τη στιγμή της ενεργοποίησης, για 15 λεπτά μετά την απενεργοποίησή τους. Το Timer απενεργοποιείται ξαναπιέζοντας το κουμπί **E**. Όταν η λειτουργία Timer είναι ενεργή στην οθόνη πρέπει να αναβοσβηνίει το δεκαδικό σημείο. Αν είναι σε λειτουργία η έντονη ταχύτητα, το Timer δεν μπορεί να ενεργοποιηθεί.

Πιέζοντας το κουμπί **E** για 2 δευτερόλεπτα, όταν η συσκευή είναι σβηστή, ενεργοποιείται η λειτουργία "**clean air**". Αυτή

ενεργοποιεί τον κινητήρα για 10 λεπτά κάθε ώρα στην πρώτη ταχύτητα. Κατά τη λειτουργία, η οθόνη πρέπει να απεικονίζει μια περιστροφική κίνηση των περιφερειακών τμημάτων. Με το πέρας του χρόνου αυτού ο κινητήρας σβήνει και η οθόνη πρέπει να απεικονίζει το γράμμα "C" σταθερά μέχρις ότου, μετά από άλλα 50 λεπτά, θα επανεκκινήσει ο κινητήρας για άλλα 10 λεπτά κ.ο.κ.. Για να επιστρέψετε στην κανονική λειτουργία πατήστε οποιοδήποτε πλήκτρο εκτός από το φως. Για απενεργοποιήσετε τη λειτουργία πατήστε το πλήκτρο E.

• Κορεσμός φίλτρων συγκράτησης λίπους/ενεργού άνθρακα:

-Όταν η οθόνη C αναβοσβήνει εναλλάσσοντας την ταχύτητα εργασίας με το γράμμα F (π.χ. 1 και F) τα φίλτρα συγκράτησης λίπους πρέπει να πλυθούν.

-Όταν το display C αναβοσβήνει εναλλάσσοντας την ταχύτητα άσκησης με το γράμμα A (π.χ. 1 και A) τα ενεργά φίλτρα άνθρακα πρέπει να πλυθούν ή να αντικατασταθούν ανάλογα με τον τύπο του φίλτρου.

Αφού επανατοποθετηθεί το καθαρό φίλτρο, θα πρέπει να κάνετε reset στην ηλεκτρονική μνήμη πιέζοντας το κουμπί A για περίπου 5 sec μέχρι να σταματήσει να αναβοσβήνει η επισήμανση F ή A της οθόνης C.

- Αν η οθόνη C συνεχίζει να αναβοσβήνει, επαναλάβετε τη διαδικασία με τον κινητήρα αναμμένο.

• Εντολές (Εικ.13):

ΣΗΜΕΙΩΣΗ: με την εντολή αυτή μπορείτε να ελέγχετε τη συσκευή ακόμη και με ένα τηλεχειριστήριο που μπορείτε να ζητήσετε ως αξεσουάρ.

Πλήκτρο A = Ενεργοποιεί/απενεργοποιεί τον απορροφητήρα. Η συσκευή ενεργοποιείται στην 1^η ταχύτητα.

Πλήκτρο B = Μειώστε την ταχύτητα του κινητήρα.

Οθόνη C = Υποδεικνύει την επιλεγμένη ταχύτητα του κινητήρα και την ενεργοποίηση του χρονοδιακόπτη/εντατικής ταχύτητας/σηματοδότησης των φίλτρων.

Πλήκτρο D = Αυξάνει την ταχύτητα του κινητήρα.

Πατώντας το πλήκτρο στην 4^η ταχύτητα ενεργοποιείται η εντατική λειτουργία για 6 λεπτά, στη συνέχεια η συσκευή αρχίζει να λειτουργεί και πάλι στην ταχύτητα λειτουργίας κατά τη στιγμή της ενεργοποίησης. Κατά τη διάρκεια της λειτουργίας αυτής στην οθόνη αναβοσβήνει ο αριθμός 4.

- Αν θέλετε να απενεργοποιήσετε τη λειτουργία πριν από τα 6 λεπτά πατήστε το πλήκτρο B.

Προσοχή! Ορισμένα μοντέλα λειτουργούν μέχρι την 3^η ταχ., στα τα οποία δεν προβλέπεται η εντατική λειτουργία.

Πλήκτρο E = Με οποιαδήποτε ενεργοποιημένη ταχύτητα 1-2-3 ταχύτητα (εκτός της εντατικής ταχ. 4) πατώντας το πλήκτρο ενεργοποιείται η λειτουργία χρονοδιακόπτη. Όταν ενεργοποιείται η λειτουργία του χρονοδιακόπτη στην οθόνη θα πρέπει να αρχίσει να αναβοσβήνει η ταχύτητα ρυθμισμένη τη στιγμή της ενεργοποίησης του χρονοδιακόπτη.

Μετά από 15 λεπτά στο τέλος της μέτρησης ο απορροφητήρας σβήνει (κινητήρας και τυχόν αναμμένα φώτα).

Αν λειτουργεί η εντατική ταχύτητα δεν μπορεί να ενεργοποιηθεί ο χρονοδιακόπτης.

- Αν επιθυμείτε να απενεργοποιήσετε τη λειτουργία πριν από τα 15 λεπτά πατήστε το πλήκτρο E.

Πλήκτρο F = Ενεργοποιεί/απενεργοποιεί τα φώτα.

• Κορεσμός φίλτρων λίπους/ενεργού άνθρακα:

-Μετά από **30 h** λειτουργίας όταν η οθόνη C αναβοσβήνει εναλλάσσοντας την ταχύτητα λειτουργίας με το γράμμα F (π.χ. 2 και F), κάτι τέτοιο σημαίνει ότι θα πρέπει να πλυθούν τα

φίλτρα λίπους.

-Μετά από **120 h** λειτουργίας όταν η οθόνη C αναβοσβήνει εναλλάσσοντας την ταχύτητα λειτουργίας με το γράμμα C/F (π.χ. 2 και C/F), κάτι τέτοιο σημαίνει ότι θα πρέπει να πλυθούν ή να αντικατασταθούν τα **φίλτρα άνθρακα**.

- Αφού επανατοποθετησετε το καθαρισμένο φίλτρο θα πρέπει να επαναφέρετε την ηλεκτρονική μνήμη με τον απορροφητήρα αναμμένο, πατώντας το πλήκτρο B για περίπου **3 δευτ.**

Αφού περάσει αυτό το χρονικό διάστημα στην οθόνη θα εμφανιστεί το γράμμα E (επιβεβαίωση εκτελεσμένης επαναφοράς) και ο απορροφητήρας θα σβήσει.

ΔΕΝ ΑΝΑΛΑΒΑΝΟΜΕ ΕΥΘΥΝΣ ΓΙΑ ΤΥΧΩΝ ΖΗΜΙΣ ΠΟΥ ΠΡΟΚΑΛΟΥΝΤΑΙ ΑΠΟ ΤΗΝ ΜΗ ΤΗΡΗΣΗ ΤΩΝ ΣΥΜΒΟΥΛΩΝ ΠΟΥ ΠΡΟΑΝΑΦΕΡΘΗΚΑΝ.

ÁLTALÁNOS TUDNIVALÓK

Kérjük, figyelmesen olvassa el útmutatónkat, mert fontos tudnivalókat tartalmaz a készülék felszerelésére, használatára és karbantartására vonatkozóan. Őrizze meg, mert a későbbiekben is szüksége lehet rá. A berendezést úgy tervezték, hogy elszívással (a levegőnek a szabadba történő kivezetésével - 1B.ábra), szűrővel (a levegő visszavezetésével - 1A.ábra), vagy külső motorral (1C.ábra) is használható.

BIZTONSÁGI FIGYELMEZTETÉSEK

1. Figyeljünk arra, hogyha nem villanynal működő és ugyanakkor a helyiségnek a légtérét használó elszívó, kályha vagy tűzhely működik egyszerre, akkor az elszívó esetleg kivonja a kályha vagy a tűzhely égéséhez szükséges levegőt. A helyiség negatív nyomása 4 PA-nál nem lehet nagyobb (4×10^{-5} bar). A biztonságos működés érdekében gondoskodjunk a helyiség megfelelő levegőellátásáról. A szennyezett levegő külső térbe való elvezetésekor tartsuk be az ide vonatkozó előírásokat.

Mielőtt bekötne a modellt az elektromos hálózatba:

- Ellenőrizze a (a készülék belsejében található) műszaki adatokat tartalmazó táblát, és győződjön meg arról, hogy az elektromos hálózat feszültsége és teljesítménye megfelel-e a feltüntetett adatoknak, valamint, hogy a csatlakozó megfelelő-e. Amennyiben kételyei merülnek fel, forduljon szakképzett villanyszerelőhöz.
- Ha a tápkábel megsérült, ki kell cserélni egy másik kábelre, vagy a gyártónál vagy annak szervizközpontjában beszerezhető speciális egységre.
- 3A-s biztosítókkal ellátott csatlakozódugóval kösse be a hálózatba az egységet, vagy csatlakoztassa 3A-s biztosítókkal védett kétfázisú kábel két éréhez.

2. FIGYELEM!

Bizonyos esetekben az elektromos készülékek veszélyt jelenthetnek.

A) Az elszívó működése közben ne ellenőrizze a szűrők állapotát.

B) A készülék világításának hosszan tartó használata közben vagy közvetlenül azt követően ne érjen az izzókhoz vagy a mellettük lévő felületekhez.

C) Az elszívó alatt tilos nyílt lángon sütni.

D) Ne használjon nyílt lángot, mert az tönkretelheti a szűrőket és tüzet okozhat.

E) Tartsa folyamatosan szem előtt a sütést, nehogy a forró olaj meggyulladjon.

F) A karbantartási műveletek előtt húzza ki a konnektort a dugóból.

G) A készülék nem gyerekek vagy felügyelet nélkül hagyott, működtetésre alkalmatlan személyek általi használatra lett tervezve.

H) Vigyázzon a gyerekekre, hogy nehogy játsszanak a készülékkel.

I) Amennyiben az elszívót gázzal vagy más éghető anyaggal működő készülékkel együtt használja, a helyiségnek megfelelő szellőzéssel kell rendelkeznie.

L) Amennyiben a tisztítási műveleteket nem az utasításoknak megfelelően végzi el, fennáll a veszélye annak, hogy

a készülék kigyullad.

A készülék megfelel az elektromos és elektronikus berendezések hulladékaikról (WEEE) szóló 2002/96/EK európai uniós irányelvnek. Gondoskodjon a termék megfelelő kezeléséről, annak működéséből történő kivonása után, a felhasználó hozzájárul a környezetre és az egészségre való káros hatások megelőzéséhez.




A terméken vagy a mellékelt dokumentáción feltüntetett jelölés azt jelzi, hogy a termék nem kezelhető háztartási hulladékként, hanem a megfelelő begyűjtő állomásra kell vinni az elektromos és elektronikus berendezések újrahasznosítása érdekében. Készülékétől a hulladékkezelésre vonatkozó helyi előírásoknak megfelelően váljon meg. A termékkel kezelésével, összegyűjtésével és újrahasznosításával kapcsolatos további információkért forduljon a megfelelő helyi irodához, a háztartási hulladékokat begyűjtő szolgálatához, vagy ahhoz az üzlethez, ahol a készüléket megvásárolta.


FELSZERELÉSI UTASÍTÁSOK

- **A beszerelést és az elektromos bekötést csak szakemberek végezhetik el.**
- **Vegyük fel a védőkesztyűket az összeszerelési műveletek elkezdése előtt.**

• Elektromos bekötés:

Megjegyzés! Ellenőrizze a készülék belsejében elhelyezett adattáblát:

- Amennyiben az adattáblán fel van tüntetve a  szimbólum, akkor a készülék nem csatlakoztatható a földeléshez, ezért a II. szigetelési osztály előírásait kell betartani.

- Amennyiben az adattáblán **NINCS** feltüntetve a  szimbólum, az I. szigetelési osztály előírásait kell betartani.

II. szigetelési osztály

- A termék kéterés kábelrel készül, vigyázzunk, hogy az egyik huzalt se kössük a földvezetékbe.

A dugónak a készülék felszerelését követően is könnyen megközelíthetőnek kell maradnia.

Abban az esetben, ha a készülék dugó nélküli tápkábelrel van ellátva, az elektromos hálózatba való bekötéshez a készülék és a hálózat közé be kell iktatni egy, a terhelésre szabott és az érvényes szabványnak megfelelő univerzális megszakítót, melynek érintkezői között legalább 3 mm távolságnak kell lennie.

- A hálózatra való bekötésnél vegyük figyelembe a huzalok színét:

BARNA = L fázis

KÉK = N nullafázis.

I. szigetelési osztály

A készülék I. osztályú, ezért földelt konnektorba kell csatlakoztatni.

- Az elektromos hálózathoz történő csatlakoztatást az alábbiak szerint kell elvégezni:

BARNA = L fázis

KÉK = N nulla

SÁRGA/ZÖLD =  föld.

A nulla vezetékkel kell összekötni az **N** jelzésű csatlakozóval, míg a **SÁRGA/ZÖLD** vezetékkel a föld jelhez közeli csatlakozóhoz

kell kötni ☹️.

Az elektromos összeköttetés kivitelezésekor győződjön meg róla, hogy a dugós csatlakozó a földhöz van csatlakoztatva. Az elszívó kürtőjének felszerelése után, ügyeljen rá, hogy az elektromos kapcsoló könnyen hozzáférhető legyen. Abban az esetben, ha közvetlenül csatlakoztatja az elektromos hálózatra, a készülék és a hálózat közé be kell iktatni egy a terhelésre szabott és az érvényes szabványnak megfelelő univerzális megszakítót, melynek érintkezői között legalább 3 mm legyen a távolság.

• A főzőlap főzéshez használt edényeket tartó felülete és a konyhai elszívó alsó része között minimum **45 cm** távolságnak kell lennie. Ha két vagy több elvezető csövet kell összeszerelnünk, akkor az alsó csövet illesszük a felső belsejébe. Az elszívó csövet ne vezessük olyan kéménybe, amelyben meleg levegő áramlik, vagy amely nem villannyal működő berendezés égéstermékét vezeti el.
- Amennyiben a készüléket konyhai szagelszívóként szereli fel, gondoskodjon kéménynyílásról.

• Tanácsos a levegőkimeneti cső átmérőjével megegyező átmérőjű levegőelvezető csövet használni. Az átmérőcsökkentés csökkenti a termék teljesítményét, és növeli a zajosságát.

Figyelem!

• A szagelszívó könnyebb kezelhetősége érdekében a felszerelés megkezdése előtt végezze el az alábbi műveleteket:

1. A fogantyú meghúzásával távolítsa el a **zsírűzörökét** a 2.ábrán látható módon (1.lépés).

2. Ha az ön által vásárolt termék **aktív szénszűrővel rendelkezik (B-C)**, távolítsa el őket a 2.ábrán látható módon 2B -2C lépés.

3. Távolítsa el az **M jelű ernyőt** a 2.ábrán látható módon (4.lépés).

• Fali rögzítés (3.ábra):

A 3.ábra (1.lépés) szerint jelölje meg a falon az elszívó alsó oldalát (figyelembe véve a főzőszinttől való minimális távolságot).

- Helyezze a rögzítőlemez a falra, figyelve arra, hogy a vonal egybeessen az előző szakaszban meghúzott vonallal!

- Jelöljébeés alakítsa ki a 4 lyukat a rögzítéshez 3.ábra (2.lépés).

- Rögzítse a 4 éket és a 2 **A-B** csavart, de ne csavarja be azokat teljesen 3.ábra (2.lépés).

- Állítsa a készüléket a falhoz, majd a 2 **B** 3.ábra (3-4.lépés) csavar és a 2 **B** biztonsági csavar meghúzásával rögzítse véglegesen 3.ábra (5.lépés).

- A szerelésekhez használjon a fal típusának megfelelő csavarokat és tipliket (pl. vasbetonhoz, gipszkartonhoz)! Amennyiben a termék tartalmazza a csavarokat és tipliket, győződjön meg róla, hogy azok a kürtő rögzítésére szolgáló fal típusának megfelelnek!

• Fali rögzítés OPCIONÁLIS (4.ábra):

Ez a páraelszívó modell egy a szintbe állítást megkönnyítő kengyellel is felszerelhető. Érdeklődjön a kereskedőjétől.

A 3.ábra (1.lépés) szerint jelölje meg a falon az elszívó alsó oldalát (figyelembe véve a főzőszinttől való minimális távolságot).

- Helyezze a rögzítőlemez a falra, figyelve arra, hogy a vonal egybeessen az előző szakaszban meghúzott vonallal!

- Jelöljébeés alakítsa ki a 4 lyukat a rögzítéshez 3.ábra (2.lépés).

- Rögzítse a két kengyelt **C** az elszívó tartóeleméhez a **D** jelű

csavarokkal ahogyan az a 4.ábra 1. lépésén látható. Ne húzza meg teljesen a két szintbeállító csavart **D**.

- Akassza fel a készüléket a két csavarra **B**, ahogyan az a 4.ábra 2. lépésén látható.

- Állítsa a készüléket vízszintes helyzetbe a két szintbeállító csavar **D** segítségével, ahogyan az a 4.ábra 3. lépésén látható.

- A beállítás követően húzza meg a két csavart **B**, ahogyan az a 4.ábra 4. lépésén látható, és rögzítse a készüléket a végleges helyzetében a két biztonsági csavarral **B**, ahogyan az a 4.ábra 5. lépésén látható.

- A szerelésekhez használjon a fal típusának megfelelő csavarokat és tipliket (pl. vasbetonhoz, gipszkartonhoz)!

Amennyiben a termék tartalmazza a csavarokat és tipliket, győződjön meg róla, hogy azok a kürtő rögzítésére szolgáló fal típusának megfelelnek!

• Szűrőverzió:

- Akasszák le az **M** boltozatot és távolítsák el az **E** rácsot (5.ábra).

- Vezessék a tápkábel az **M** boltozat részen keresztül a (6.ábra).

- Húzza a kábelvezetőt **H** a tápvezetékre, a készülék nyílásához.

- Helyezze vissza az ernyőt **M** és a rácsot **E** ügyelve arra, hogy tökéletesen illeszkedjenek a rögzítő csapokra **G** (6.ábra).

A szűrő felszereléséhez a szagelszívó belsejében levő elszívó blokkra helyezze a szűrőt középre és fordítsa el 90°-kal, amíg nem kattán (10B.ábra).

• Opcionális:

A kürtőmodellhez díszburkolatot is lehet rendelni a viszonteladónál. Mielőtt a díszítő kéményeket beszerelik, el kell távolítani az boltozatot és ki kell csavarni a 4 db. **B** csavart, amelyek rögzítik a **G** rögzítő csapokat a 7.ábra látható módon.

• Beszerelés díszítő kéményekkel ellátott modelleken:

Szívóverzió:

Az áramhálózati ellátást a díszítő kémény helyszükségelete alapján helyezték el.

Csatlakoztassák az **L** rugalmas cső révén az **F** karimát az égéslevegő elvezető réséhez (7.ábra).

Szabályozzák be a felső díszítő kéménytartó kengyell szélességét (8.ábra).Majd rögzítsék a falhoz úgy, hogy egyezzen a páraelszívó helyzetével az **A** csavarok révén és a 8.ábrán jelzett távolság betartásával.Csúsztassa a felső kürtőt az alsó kürtőbe, és helyezze az elszívóra (lásd 9.ábra).

Húzzák a felső díszítő kéményt a kengyell eléréséig és rögzítsék a **B** csavarokkal (8.ábra).

Az elszívóval szerelt kürtő szűrőre való átalakításához a viszonteladótól meg kell rendelni az aktív szeszes szűrőket, és a szerelési útmutató szerint be kell azokat szerelni.

• Szűrő mód:

Figyelem!

- Az elszívó **ELSZÍVÓ** módról **SZÜRŐ** módra való átállításához a szénszűrőket kiegészítőként meg kell rendelni a viszonteladónál. A rendelkezésre álló készüléktípustól függően 3 csomag választható, egy kazettás szénszűrős (10B.ábra) és egy regenerálható (mosható) szénszűrős (10C.ábra - 10D.ábra).

- Az ön által vásárolt modell függvényében, a **KEREK** aktívzésén szűrőket helyezze a kürtő belsejében található elszívótestbe középre, majd fordítsa el 90 fokkal, amíg nem érzi a megfelelő rögzített jelző kattánást (10B.ábra). A cseréhez végezze el a műveleteket az ellenételes sorrendben.

- A regenerálható **MOSHATÓ** aktívzésén szűrők esetében (10C.ábra) kövesse a KÉSZLETBEN található összeszerelési

utasításokat.

- A regenerálható, **MOSHATÓ KÓRALAKÚ** aktívszén szűrők esetében (10D ábra) távolítsa el a panelt, majd kövesse a HASZNÁLAT ÉS KARBANTARTÁS c. fejezet, „regenerálható aktívszén szűrők” bekezdésének utasításait.

HASZNÁLAT ÉS KARBANTARTÁS

• Mielőtt bármilyen étel főzésébe belekezdene, tanácsos bekapcsolni a készüléket. A szennyezett levegő teljes kiszűrése érdekében a főzés végét követően ajánlatos még 15 percig bekapcsolva hagyni az elszívót. Az elszívó tökéletes működtetése megfelelő és folyamatos karbantartást igényel. Különös figyelmet kell fordítani a zsír- és az aktív szénzsűrőre.

• **A zsírzsűrő** megköti a levegőben lévő zsírszemcséket, melyek a használatól függően idővel eltömítik a készüléket.

- Egy esetleges tűzveszély megelőzése érdekében legfeljebb kéthavonta mossa el kézzel a zsírzsűrőket. Használjon semleges folyékony mosószereket, vagy mossa el a zsírzsűrőt alacsony hőmérsékleten mosogatógépben rövid programon. Ne használjon súrolószert.

- Néhány mosás után a zsírzsűrő színe megváltozhat. Ez nem szolgáltalt alapot reklamációra, és a szűrő esetleges cseréjére.

• **Aktív szénzsűrők** feladata, hogy megtisztítsák a környezetbe visszaáramoltatott levegőt, és csökkentsék a főzés során keletkező kellemetlen szagokat.

- A nem regenerálható aktív szénzsűrőket legfeljebb 4 havonta cserélni kell. Az aktív szén telítődését befolyásoló tényezők: a készülék használatának időtartama, főzési szokások és a zsírzsűrő tisztításának gyakorisága.

- A regenerálható aktív szénzsűrőket mossa kézzel, semleges mosószerezrel, vagy mosogatógépben max. 65°C-on (hagyja lemeenni a teljes programot, és a mosogatógépbe ne rakjon más edényt). Ne használjon súrolószert. Távolítsa el a felesleges vizet anélkül, hogy a szűrőt megsértené, távolítsa el a műanyag részeket, és szárítsa ki a szűrőt a sütőben (min. 15 perc legfeljebb 100°C-on). A regenerálható aktív szénzsűrő megfelelő működése érdekében a szűrő tisztítását 2 havonta végezze el. A regenerálható szénzsűrőt legalább 3 évente, de a matrac sérülése esetén minden esetben cserélje ki.

• **A zsírzsűrők és a regenerálható aktív szénzsűrők viszhelyezése előtt várja meg, hogy a szénzsűrők teljesen megszáradjanak.**

• **Denaturált szesszel vagy nem súroló hatású folyékony mosószerezrel átitatott vizes ruhával tisztítsa meg gyakran az elszívó külsejét és belsejét.**

• A világítóberendezést főzés közbeni használatra tervezték, és nem a konyha általános, huzamos idejű megvilágítására. A huzamos idejű használat lényegesen lecsökkenti az égők átlag élettartamát.

• Ha a készülék rendelkezik **szobai világítással** a készüléket használhatja a konyha huzamosabb ideig tartó megvilágítására.

• **Figyelem:** az elszívó és a szűrők tisztítására ill. a szűrők cseréjére vonatkozó utasítások be nem tartása megnöveli a tüzeset kockázatát. Ezért azt tanácsoljuk, kövesse az utasításokat.

• **A halogénizzók cseréje (11A.ábra):**

A **B** halogénizzók cseréjéhez a megfelelő réseken keresztül megemelve vegye le a **C** üvegburát. Cserélje ki az izzókat azonos típusúakra! **Figyelem!** Ne fogja meg a lámpát csupasz kézzel!

• **A FÉNYJELZŐ lámpák kicserélése (11B.ábra):**

Amennyiben a készülék **FÉNYJELZŐ** lámpával ellátott típusú,

a lámpa kicseréléséhez villanszerelőt kell hívni.

• **Vezérlés (12.ábra):**

A billentyű = Be- illetve kikapcsolja a világítást.

B billentyű = Be- illetve kikapcsolja a páraelszívót. A készülék az 1. sebességnél kapcsol be. Ha az elszívó be van kapcsolva, a kikapcsoláshoz 2 másodpercig tartsa lenyomva a billentyűt. Ha az elszívó az első sebességre van állítva, nem szükséges a kikapcsoláshoz lenyomva tartani a billentyűt. Csökkenti a motor sebességét.

C kijelző = A motor kiválasztott sebességét valamint az időrelé bekapcsolását jelzi.

D billentyű = Bekapcsolja az elszívót. Növeli a motor sebességét. Ha a billentyűt a 3. sebességben nyomja meg, 6 percre bekapcsol az intenzív funkció, ezután a készülék visszatér a funkció kiválasztását megelőző üzemi sebességbe. A funkció működése alatt a display villog.

E billentyű = A Timer, az aktiválás pillanatában, időzíti a funkciókat 15 percre, miután a funkciók kikapcsolnak. A Timer kikapcsolható az **E** billentyű megnyomásával. Amikor a Timer funkció aktív, a kijelzőn a tizedespontnak villognia kell. Ha az intenzív sebesség működésben van, a Timert nem lehet aktiválni.

Az **E** billentyű 2 másodpercig tartó megnyomásával, ha a készülék ki van kapcsolva, aktiválódik a **„clean air”** funkció. Ezzel bekapcsolódik a motor minden órában 10 percre első sebességre. Működés közben a kijelzőnek a perifériás részek forgó mozgását kell mutatnia. Ennek az időnek az elteltével a motor kikapcsol és a kijelzőn meg kell jelennie a nem villogó **„C”** betűnek egészen addig, amíg újabb 50 perc múlva a motor további 10 percre újraindul stb. A normál üzemmódba való visszaálláshoz nyomjon meg egy tetszőszerinti gombot, kivéve a világítás gombot. A funkció kikapcsoláshoz nyomja meg az **E** gombot.

• **A zsírzsűrők/aktív szénzsűrők telítődése:**

- Amennyiben a **C** kijelzőn az aktuális sebességfokozat és az **F** betű villog felváltva (pl. 1 és F), a zsírzsűrőket meg kell mosni.

- Amikor a **C** kijelzőn az aktuális sebesség fokozat és az **A** betű (pl.1 és A) felváltva villog, mossa el a vagy cserélje ki az aktív szénzsűrőket (a szűrő típusától függően).

Miután visszahelyezte a tiszta szűrőt, az elektromos memória nullázásához nagyjából **öt másodpercre** tartsa lenyomva az **A** gombot, míg a **C** kijelzőn az F, vagy **A** jelzés villogása abba nem marad!

- Ha a kijelző **C** továbbra is villog, ismétlje meg a műveletet járó motor mellett.

• **Vezérlés (13.ábra):**

MEGJEGYZÉS: ezzel a kapcsolóval lehetősége van arra, hogy a készüléket távirányítóval (opcionális tartozék) vezérelje.

„A” gomb = Az elszívó be-/kikapcsolása. A készülék 1. sebességfokozaton kapcsol be.

„B” gomb = Csökkenti a motor sebességét.

„C” kijelző = A kiválasztott motor sebességét, az időzítő/intenzív sebességfokozat használatát valamint a szűrők jelzéseit mutatja.

„D” gomb = Növeli a motor sebességét.

A 4. sebességfokozat gombjának megnyomásakor, bekapcsol az intenzív sebességfokozat, amely 6 percig üzemel. Ezt követően a készülék az intenzív sebesség bekapcsolása előtti fokozaton működik tovább. A funkció működése közben a kijelzőn a 4. szám villog.

- Ha a funkció a szokásos (6 perces) működési idő vége előtt ki akarja kapcsolni, nyomja meg a **B** gombot.

Figyelem! Néhány típuson csak 3 sebességfokozat van, intenzív sebesség nincs.

„E” gomb = Bekapcsolja az időzítő funkciót (csak a készülék 1, 2, 3 sebességfokozatán használható, a 4 fokozaton nem). Ha az időzítő funkció be van kapcsolva, a kijelzőn a bekapcsolás pillanatában használt sebesség jelének villognia kell.

15 perc elteltével a készülék (motor és az esetleges világítás) kikapcsol.

Ha az időzítő funkció be van kapcsolva, az intenzív sebesség nem használható.

- Ha a funkciót a szokásos (15 perces) működési idő vége előtt ki akarja kapcsolni, nyomja meg az „E” gombot.

„F” gomb = A világítás be- illetve kikapcsolására szolgál.

• **A zsírszűrő/aktív széniszűrő telítődése:**

- **30 órányi** követően, a „C” kijelzőn a működési sebesség és az „F” betű (pl. 2 és F) váltakozva villognak. Ez azt jelenti, hogy a **zsírszűrőt ki kell cserélni**.

- **120 órányi** működést követően a „C” kijelzőn a működési sebesség és a C/F betű (pl.2 és C/F) váltakozva jelennek meg. Ez azt jelenti, hogy **az aktív széniszűrőket el kell mosni, vagy ki kell cserélni**.

- A tiszta szűrő behelyezését követően a „B” gomb megnyomásával törölni kell a készülék memóriáját (ehhez tartsa lenyomva a gombot kb. **3 másodpercig**).

3 másodperc elteltét követően megjelenik a kijelzőn az „E” betű. Ez jelzi, hogy a memória törlése sikeresen megtörtént, majd a készülék kikapcsol.

A HASZNÁLATI UTASÍTÁS BE NEM TARTÁSÁBÓL EREDŐ KÁROKÉRT SEMMINEMŰ FELELŐSÉGET NEM VÁLLALUNK.

GENERELT

Les denne bruksanvisningen nøye. Her gis viktig informasjon angående sikker installering, bruk og vedlikehold av apparatet. Ta vare på bruksanvisningen for fremtidige behov. Apparatet er laget for å kunne brukes i avtrekksversjon (suge ut luft utenifra - Fig.1B), filterversjon (resirkulere luft innvendig - Fig.1A) eller versjon med ekstern motor (Fig.1C).

SIKKERHETS INFORMASJON

1. Vær forsiktig dersom en vifte med utvendig avløp benyttes i samme rom som en brenner eller en ovn som ikke går på elektrisk strøm, da viften trekker ut luften brennernen eller ovnen trenger til forbrenningen. Det negative trykket i rommet må ikke overstige 4 Pa (4×10^{-5} bar). For sikker bruk må man derfor sørge for tilstrekkelig ventilasjon av lokalet. Avtrekket skal utføres i henhold til gjeldende forskrifter.

Før modellen kobles til det elektriske systemet:

- Kontroller typeskiltet (befinner seg inni apparatet) for å kontrollere at spenning og styrke er i samsvar med strømmettet og at forbindelseskontakten er egnet. Er du i tvil ta kontakt med en kvalifisert elektriker.

- Dersom strømledningen er ødelagt, må denne byttes ut med en kabel eller en spesialenhet som kan skaffes hos produsenten eller serviceavdelingen til produsenten.

- Koble anordningen til strømtilførselen ved hjelp av et støpsel med sikring 3A eller til de to ledningene til bifasen beskyttet av en sikring 3A.

2. Advarsel!

I noen situasjoner kan elektriske apparater utgjøre en fare.
A) Ikke kontrollere filtrens tilstand mens avtrekket er i bruk.

B) Ikke berøre lypærene eller de nærliggende områdene under eller rett etter lengre bruk av belysningsanlegget.
C) Det er forbudt å steke mat med flammer under avtrekket.

D) Unngå åpen ild, siden den skader filtrene og kan medføre brann.

E) Hold frityrsteking av mat konstant under kontroll, for å unngå å ølten tar fyr.

F) Trekk ut støpslet fra stikkkontakten før du foretar vedlikeholdsarbeid.

G) Apparatet er ikke ment til brukes av barn eller ikke selvstendige personer uten overvåking.

H) Overvåk barna for å være sikre på at de ikke leker med ovnen.

I) Når avtrekket benyttes samtidig med apparater som brenner gass eller andre brennstoffer, må rommet være passende utluftet.

L) Hvis rengjøringsinngrepene ikke utføres i samsvar med anvisningene, er det fare for at det kan oppstå en brann.

Dette apparatet er merket i samsvar med det europeiske direktivet EC/96/2002, "Waste Electrical and Electronic Equipment" (WEEE). Ved å forsikre seg om at dette produktet blir avstans på korrekt måte vil brukeren bidra til å hindre potensielt negative effekter for miljø og helse.



Symbolet på produktet, eller i den medfølgende dokumentasjonen viser til at dette produktet ikke må be-


handles som husholdningsavfall, men må leveres inn til spesialinnsamling for elektriske og elektroniske produkter for resirkulering. Man må kvitte seg med apparatet slik lokale regler for avsetning og resirkulering tilsier. For nærmere informasjon om behandling, gjenvinning og resirkulering av dette produktet må man kontakte det lokale avfallsselskap, offentlig kontor med ansvar for søppelinnsamling eller butikken der produktet ble kjøpt.


INSTALLASJONSVEILEDNING

- **Montering og elektriske koblinger må utføres av kvalifisert personale.**
- **Bruk vernehansker under monteringsarbeidet.**

• Elektrisk tilkobling:

Merk! Verifiser datamerket som finnes på insiden av apparatet:

- Hvis symbolet  vises på platen, betyr det at ingen jordforbindelse må gjøres på apparatet, følg derfor instruksjonene for isolasjonsklasse II.

- Hvis symbolet  IKKE vises på platen, følg instruksjonene for isolasjonsklasse I.

Isolasjonsklasse II

- Apparatet er fremstilt i klasse II, ingen leder skal derfor kobles til jord. Støpslet må være lett tilgjengelig etter installasjon av apparatet. Hvis apparatet er utstyrt med en strømledning uten støpsel, må en omnipolar bryter i passende størrelse med 3 mm minimum åpning mellom kontaktene festes mellom apparatet og strømforsyningen i overensstemmelse med lasten og strømforskriftene.

- Tilkobling til strømmettet utføres på følgende måte:

BRUN = L strømførende

BLÅ = N nulleleder.


Isolasjonsklasse I

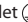
Dette apparatet tilhører klasse I, av elektriske apparater og må derfor kobles til jordet kontakt.

- Tilkoblingen til strømforsyningen må utføres på følgende måte:

BRUN = L linje

BLÅ = N nøytral

GUL/GRØNN =  jording.

Den nøytrale tråden må kobles til pluggen med symbolet **N** mens den **GRØNN/GULE**, tråden må kobles til pluggen nær jordings symbolet .

Ved elektrisk tilkobling må man forsikre seg om at kontakten er jordet. Etter montering av oppsugingsviften må man kontrollere at el-kontakten lett kan nås i den endelige posisjonen. Ved direkte påkobling til strømmettet er det nødvendig å sette inn en flerpol-bryter mellom apparatet og strømmettet med en minimumsavstand på 3 mm mellom kontaktene, og som er egnet til strømbehovet og i overensstemmelse med gjeldende regler.

• Avstanden fra støtteoverflaten hvor kokekarene står på kokeoverflaten og laveste punkt på kjøkkenheten må være minst **45 cm**. Dersom det benyttes en avtrekkskanal bestående av to eller flere deler, skal den øvre delen trenes utenpå den nedre. Koble ikke ventilatoravtrekket til et rør der det passerer varmluft eller røyk fra apparater som ikke går på strøm.

- I anledning montering av apparatet i avtrekksversjon, forbered på forhånd hullet for luftevakuering.

Advarsel!

• For å gjøre det enklere å håndtere hetten, bør man utføre følgende før monteringen starter:

1. Ta ut **antifettfilteret** ved å trekke i håndtaket, som vist i figur 2 - fase 1.

2. Hvis produktet er utstyrt med **aktive kullfilter (B-C)**, fjern dem som vist i figur 2 - fase 2B-2C.

3. Hekt av **kuppel M** som vist i figur 2 - fase 4.

• Veggmontering (Fig.3):

Merk av nedre del av kjøkkenventilatoren på veggen figur 3 - fase 1 (ta hensyn til minimumsavstand fra koketoppen).

- Plassere festeskinnen på veggen, se til at linjen tilsvarer den som er merket av på veggen, som beskrevet i forrige avsnitt.

- Merk av og bruk en bor for å lage de 4 festehullene figur 3 - fase 2.

- Fest de 4 ekspansjonspluggene og de 2 skruene **A-B** uten å skru dem helt fast figur 3 - fase 2.

- Plasser apparatet på veggen og fest det permanent ved å dra i de 2 **B** figur 3 - fase 3-4 skruene og i de 2 låseskruene **B** figur 3 - fase 5.

- Under installasjon må man bruke skruer og ekspansjonshylser som er egnet til den typen vegg man har (armert betong, gipsplate, osv.).

Dersom skruer og hylser følger med produktet, må man kontrollere at de er egnet til den typen vegg avtrekksviften skal festes på.

• Veggmontering EKSTRAUTSTYR (Fig.4):

Denne kjøkkenventilator-modellen kan ha planeringsbraketter som ekstrautstyr. Disse får du ved forespørsel hos din forhandler.

Merk av nedre del av kjøkkenventilatoren på veggen figur 3 - fase 1 (ta hensyn til minimumsavstand fra koketoppen).

- Plassere festeskinnen på veggen, se til at linjen tilsvarer den som er merket av på veggen, som beskrevet i forrige avsnitt.

- Merk av og bruk en bor for å lage de 4 festehullene figur 3 - fase 2.

- Fest de to planeringsbrakettene **C** på støtten til kjøkkenventilatoren med skruene **D** som angitt i figur 4 - fase 1, sørg for at de 2 planeringsskruene **D** ikke er strammet.

- Heng apparatet på de to skruene **B** figur 4 - fase 2.

- Nivåjuster apparatet i horisontal posisjon ved hjelp av planeringsskruene **D** figur 4 - fase 3.

- Etter foretatt justering, stramme de 2 skruene **B** figur 4 - fase 4 og feste kjøkkenventilatoren permanent med de to sikkerhetsskruene **B** figur 4 - fase 5.

- Under installasjon må man bruke skruer og ekspansjonshylser som er egnet til den typen vegg man har (armert betong, gipsplate, osv.).

Dersom skruer og hylser følger med produktet, må man kontrollere at de er egnet til den typen vegg avtrekksviften skal festes på.

• Filterversjon:

- Hekt av kuppel **M** og ta vekk gitter **E** (Fig.5).

- Før strømledningen gjennom hullet på kuppel **M**, som indikert i Fig.6.

- Ta kabelgjennomfører **H** og plasser den mellom strømledningen og det avlange hullet.

- Plasser tilbake kuppel **M** og gitter **E**, pass på at de hekter seg perfekt på festestiftene **G** (Fig.6).

De sentraliseres til denne og dreies 90 grader inntil utløsning av stansmekanismen (Fig.10B).

• Ekstrautstyr:

Denne viftemodellen kan ha pyntehetter som ekstrautstyr -

disse får du ved forespørsel hos din forhandler.

Før man installerer pyntehettene må man ta vekk kuppel og skru løs de 4 skruene **B** som blokkerer festestiftene **G**, som vist i Fig.7.

• Installasjon av modeller med pyntehetter:

Avtrekksversjon

Pass på at strømledningen befinner seg innenfor pyntehettens utvendige mål.

Bruk et fleksibelt rør **L** og kobl flens **F** til luftavtrekks hull (Fig.7).

Reguler bredden til den øvre pyntehettens støtte (Fig.8).

Fest den deretter til veggen med skruene **A**. Sørg for at den er sentrert i forhold til den eksisterende avtrekkskappen og at avstanden som indikeres i Fig.8 overholdes.

Før den øvre dekorative kaminen inn i den nederste delen og plasser dem over hetten (Fig.9).

Trekk den øvre pyntehetten ut så langt som støtten rekker og fest den med skruene **B** (Fig.8).

For å skifte fra avtrekksversjon til filterversjon, spør forhandleren din etter filtre i aktivt karbon og følge monteringsanvisningene.

• Filterversjon:

Advarsel!

- For å kunne omforme viften fra **EKSTRAKTORVIFTE** til **FILTERVIFTE** må karbonfiltrene bestilles hos leverandøren som tilbehør. Vi har 3 forskjellige utstyrsett, en med kullskuffiltere (Fig.10B) og den andre med gjenvinnbare kullfiltere (vaskbare) (Fig.10C - Fig.10D).

- Avhengig av hvilken modell man er i besittelse av, festes de **RUNDE** aktive kullfiltrene til sugeenheten som er plassert inne i viften. Sentrer filteret og vri det 90 grader, helt til det hekter seg fast, (Fig.10B). For å bytte ut filteret utføres inngrepet i motsatt rekkefølge.

- Når det gjelder **VASKBARE** aktive og fornybare kullfiltere (Fig.10C), vennligst følg de vedlagte monteringsinstruksjonene.

- Når det gjelder de **VASKBARE RUNDE** aktive og fornybare kullfiltere (Fig.10D), fjern matten og følg anvisningene i avsnittet BRUK OG VEDLIKEHOLD, "aktive og fornybare kullfiltere".

BRUK OG VEDLIKEHOLD

• Vi anbefaler at kjøkkenviften slås på før du tilbereder mat. Vi anbefaler også at apparatet får stå på i 15 minutter etter at maten er ferdig, slik at all forurenset luft elimineres. Den effektive ytelsen til kjøkkenviften avhenger av stadig vedlikehold; antifettfilteret og det aktive karbonfilteret krever begge ekstra vedlikehold.

• **Antifettfilteret** brukes til å samle opp alle fettpartikler som finnes i lufta, og dermed er det utsatt for metning (tiden det tar for at filteret blir fullt avhenger av måten apparatet brukes på).

- For å unngå fare for brann, må man vaske fettfiltrene minst hver 2. måned for hånd med et mildt, ikke-slipende flytende vaskemiddel eller i oppvaskmaskin ved lave temperaturer og korte sykluser.

- Etter noen vask, kan fargeendringer forekomme. Dette gir ikke rett til erstatning.

• **Aktive kullfilter** brukes for å rense luften som sendes ut i rommet igjen og har som funksjon å dempe lukten som oppstår ved matlaging.

- Aktive kullfilter som ikke kan regenereres må byttes må byttes ut minst hver 4.måned. Metningsnivået til kullfilteret avhenger av brukshyppigheten til apparatet, typen matlaging

som utføres og hvor regelmessig antifettfiltrene rengjøres.

- Aktive kullfilter som kan regenereres må vaskes for hånd med et mildt, ikke-slipende flytende vaskemiddel eller i oppvaskmaskin på maks 65°C (hele vaskesyklusen må utføres og uten servise). Fjern overflødig vann uten å skade filteret, fjern delene i plast, og la maten tørke i ovnen i minst 15 minutter med en temperatur på maks 100°C. For å beholde funksjonen til kullfilteret som kan regenereres må denne operasjonen gjentas hver 2. måned. Disse må byttes minst hvert 3. år eller når maten er skadet.

• **Før man setter på plass fettfiltrene og de aktive kullfilterne er det viktig at disse er helt tørre.**

• **Rengjør kjøkkenviften ofte, både på innsiden og utsiden, ved bruk av en klut som er fuktet i denaturalisert alkohol eller nøytralt flytende vaskemiddel uten skureeffekt.**

• Belysningsanlegget er prosjektert for bruk under matlaging og ikke for lengre opplysning av rommet. Forlenget bruk av belysningen minsker varigheten av lyspærene betraktelig.

• Dersom apparatet er utstyrt med innvendig lys kan dette brukes over lenger tid for en generell belysning i rommet.

• **Advarsel:** hvis man ignorerer advarslene som gjelder rengjøring av hetten og bytte og rengjøring av filter kan forårsake brann. Det anbefales derfor å følge disse instruksjonene.

• **Utskifting av halogene lyspærer (Fig.11A):**

For å skifte ut de halogene lyspærene **B** ta av glasset **C** ved å trykke på hakkene. Skifte ut med lyspære av samme type.

Advarsel: ikke ta på lyspærene med bare hender.

• **Bytting av LED lamper (Fig.11B):**

Hvis apparatviften er utstyrt med LED lamper, må disse byttes ut av en faglært tekniker.

• **Kontroller (Fig.12):**

Tast A = Lys på/av.

Tast B = Ventilator på/av. Apparatet starter på 1. hastighet. Dersom ventilatoren er på, trykker man 2 sekund på knappen for å slå den av. Dersom ventilatoren befinner seg på 1. hastighet er det ikke nødvendig å holde knappen inne for å slå den av. Motorhastighet reduseres.

Display C = Indikerer den valgte motorhastigheten og aktivering av tidsur.

Tast D = Starter ventilatoren. Øker motorens hastighet. Ved å trykke på tasten fra 3. hastighet vil intensiv-funksjonen aktiveres i 6 minutter. Deretter vil apparatet gjenoppta den normale hastigheten det gikk på da funksjonen ble aktivert. Displayet vil blinke så lenge funksjonen er aktivert.

Tast E = Tidsbryteren bryter av funksjonene etter en bestemt tid, etter at denne er blitt aktivert vil funksjonene slå seg av etter 15 minutter. Tidsbryteren vil bli deaktivert ved å trykke en gang til på tast **E**. Når tidsbryterfunksjonen er aktiv vil man på skjermen se desimalpunktet som blinker. Dersom intensiv hastighet er på kan ikke tidsavbrudd aktiveres.

Ved å trykke på tast **E** i 2 sekunder med avslått apparat vil funksjonen "**clean air**" aktiveres. Denne funksjonen slår på motoren i 10 minutter hver time, ved laveste hastighet. Under bruk må skjermen vise rotasjonsbevegelsen til de ytre segmentene. Når denne tiden er gått, vil motoren slå seg av og man vil på skjermen kunne se bokstaven "**C**" lyse, helt til motoren starter opp igjen etter 50 minutter for å være i virksomhet 10 minutter til. For å gå tilbake til normal funksjon trykk på en hvilken som helst tast med unntak av lystemene. For å deaktivere funksjonen trykk på tasten **E**.

• **Overmetning av aktivt-karbonfilteret/avfettingsfilteret:**

-Når man skjermen **C** ser at bokstaven **F** blinker, med vekslende

hastighet, (f.eks. **1** og **F**) må fettfiltrene rengjøres.

-Når display **C** blinker og viser vekselvis nivået for utsagnings-effekt og bokstaven **A** (eks. **1** og **A**) må de aktive kullfiltrene rengjøres eller byttes ut avhengig av type filter.

Etter at det rene filteret er plassert riktig, skal det elektroniske minnet tilbakestilles ved å trykke på knappen **A** i ca. **5 sekunder**, inntil indikasjonen **F** eller **A** som vises på displayet **C** slutter å blinke.

- Hvis display **C** ikke slutter med å blinke, gjenta inngrepet med påslått motor.

• **Kontroller (Fig.13):**

MERKNAD: med denne kommandoen er det mulig å styre enheten med en fjernkontroll. Denne må forespørres som tilleggsutstyr.

Tast A = Slår på/av ventilatorhetten. Enheten slås på i 1. hastighet.

Tast B = Reduserer hastigheten til motoren.

Display C = Angir den valgte motorhastigheten og aktivering av timer/intensiv hastighet/signalering av filtre.

Tast D = Øker hastigheten til motoren.

Ved å trykke på tasten fra 4. hastighet, innstilles den intensive funksjonen i 6 minutter. Deretter returnerer enheten til driftshastigheten den hadde ved aktiveringstidspunktet. Under denne funksjonen blinker 4-tallet på displayet.

-Hvis du ønsker å deaktivere funksjonen før disse 6 minuttene har gått, trykk på tast **B**.

Advarsel! Enkelte modeller arbeider inntil 3. hastighet og av denne grunn er ikke den intensive funksjonen tilgjengelig.

Tast E = Med en hvilken som helst innstilt hastighet 1-2-3 (unntatt intensiv hastighet 4) ved å trykke på tasten aktiveres Timer-funksjonen. Når Timer-funksjonen er aktivert skal den innstilte hastigheten ved aktivering av timeren blinke.

Etter 15 minutter, ved avsluttet telling slås ventilatorhetten av (motor og eventuelle påskrudd lys).

Hvis den intensive hastigheten er i funksjon, kan ikke timeren aktiveres.

-Hvis du ønsker å deaktivere funksjonen før disse 15 minuttene har gått, trykk på tast **E**.

Tast F = Slår på/av lys.

• **Metning av fettfilter/filtre med aktivt kull:**

- Etter **30** driftstimer og når display **C** blinker vekselvis driftshastigheten med bokstaven **F**(eks. **2** og **F**), betyr dette at det må foretas rengjøring av **fettfiltrene**.

- Etter **120** driftstimer og når display **C** blinker vekselvis driftshastigheten med bokstaven **C/F** (eks. **2** og **C/F**), betyr dette at det må foretas rengjøring eller utskifting av kullfiltrene.

- Når det rene filteret er satt på plass, må det elektroniske minnet nullstilles med påslått ventilatorhette, ved å trykke på tast **B** i ca. **3 sekunder**.

Når denne tiden har gått, kommer bokstaven **E** opp på displayet (bekreftelse utført reset) og ventilatorhetten slår seg av.

PRODUSENTEN FRASKRIVER SEG ETHVERT ANSVAR FOR SKADER SOM SKYLDLES AT OVENNEVNTRE RETNINGSLINJER IKKE ER BLITT FULGT.

INFORMACJE OGÓLNE

Należy zapoznać się dokładnie z niniejszym tekstem, zawierającym wskazówki, dotyczące bezpieczeństwa przy instalacji, eksploatacji i konserwacji okapu kuchennego. Należy zachować niniejsze instrukcje także dla późniejszych konsultacji. Urządzenie zostało zaprojektowane w wersji zasysającej (odprowadzanie powietrza na zewnątrz - Rys.1B), filtrującej (recyrkulacja powietrza wewnątrz - Rys.1A) lub z silnikiem zewnętrzny (Rys.1C).

UWAGI O BEZPIECZEŃSTWIE

1. Nie należy używać jednocześnie okapu kuchennego i paleniska lub kominka zależnych od powietrza w pomieszczeniu i niezasilanych energią elektryczną, ponieważ okap zużywa powietrze potrzebne do ich spalania. Ciśnienie ujemne w pomieszczeniu nie powinno przekraczać 4 Pa (4×10^{-5} bar). Należy więc zadbać o prawidłową wentylację w pomieszczeniu, konieczną dla bezpiecznego funkcjonowania urządzenia. Przy odprowadzaniu dymu na zewnątrz, należy przestrzegać norm obowiązujących w waszym kraju.

Przed podłączeniem modelu do sieci elektrycznej:

- Skontrolować tabliczkę znamionową (znajdującą się wewnątrz urządzenia) aby upewnić się, że napięcie i moc są odpowiednie dla danej sieci i, że gniazdo wtykowe połączenia jest odpowiednie. W przypadku wątpliwości zwrócić się do wykwalifikowanego elektryka.
- Jeśli przewód zasilania jest uszkodzony powinien zostać wymieniony na przewód lub specjalny zespół dostępny u producenta lub u jego obsługi technicznej.
- Podłączyć urządzenie do gniazda zasilającego poprzez wtyczkę z bezpiecznikiem topikowym 3A lub dwupolowym przewodem z bezpiecznikiem topikowym 3A.

2. Uwaga!

W niektórych sytuacjach urządzenia elektryczne mogą stanowić zagrożenie.

- A) Nie kontrolować stanu filtrów, gdy okap jest włączony.**
- B) Nie dotykać lamp lub stref przyległych podczas lub zaraz po przedłużonym używaniu oświetlenia.**
- C) Zabronione jest gotowanie potraw na ogniu pod okapem.**
- D) Należy unikać wolnego ognia, ponieważ uszkadza filtry i może spowodować pożar.**
- E) Należy stale kontrolować gotowane potrawy, aby uniknąć zapalenia wrzącego oleju.**
- F) Wyjąć wtyczkę z gniazdka przed przystąpieniem do konserwacji.**
- G) Urządzenie nie jest przeznaczone do używania przez dzieci lub niezdolne osoby bez nadzoru.**
- H) Należy pilnować dzieci, aby upewnić się, że nie bawią się urządzeniem.**
- I) Jeśli okap zostanie użyty jednocześnie z urządzeniami spalającymi gaz lub inne paliwa należy pamiętać o zagrożeniu dozwolonej wentylacji pomieszczenia.**
- L) Jeśli czynności związane z czyszczeniem nie zostaną wykonane zgodnie z instrukcjami, istnieje zagrożenie wywołania pożaru.**

Niniejsze urządzenie oznaczone jest zgodnie z dyrektywą europejską 2002/96/EC, Waste Electrical and Electronic Equ-

ipment (WEEE). Upewniwszy się, że niniejszy produkt zostanie zutilizowany we właściwy sposób, użytkownik przyczynia się do ochrony przed potencjalnymi konsekwencjami negatywnymi dla środowiska i zdrowia.





Symbol podany na produkcie lub na dokumentacji towarzyszącej mu wskazuje, że produktu ten nie powinien być traktowany jako odpad domowy, lecz powinien być przekazany w stosownym punkcie zbiórki w celu odzyskania urządzeń elektrycznych i elektronicznych. Pozbywać się go zgodnie z miejscowymi normami w zakresie utylizacji odpadów. Dla uzyskania dodatkowych informacji na temat traktowania, odzyskiwania i recyklingu tego produktu, należy skontaktować się z odpowiednim lokalnym biurem, służbą odpadów domowych lub ze sklepem, w którym produkt został zakupiony.

INSTRUKCJE DO INSTALACJI

- **Czynności montażu i podłączenia elektrycznego powinny być dokonane przez wyspecjalizowany personel.**
- **Przed przystąpieniem do czynności montażowych założyć rękawice ochronne.**

• Podłączenie elektryczne:

Uwaga! Skontrolować tabliczkę znamionową znajdującą się wewnątrz urządzenia:

- Jeśli na tabliczce znajduje się symbol , oznacza to, że urządzenie nie musi być uziemione, należy wykonać instrukcje dotyczące klasy izolacji II.
- Jeśli na tabliczce **NIE** znajduje się symbol , oznacza to, że należy wykonać instrukcje związane z klasą izolacji I.

Klasa izolacji II

- Urządzenie skonstruowane jest według klasy II, dlatego przewody nie muszą być uziemione.

Wtyczka musi być łatwo dostępna po instalacji urządzenia. W przypadku, gdy urządzenie wyposażone jest w kabel bez wtyczki, w celu jego podłączenia należy umieścić pomiędzy urządzeniem a siecią wyłącznik wielobiegunowy z minimalnym otwarciem między stykami wynoszącym 3 mm, przystosowany do obciążenia i zgodny z obowiązującymi normami.


- Podłączenie do sieci elektrycznej powinno być przeprowadzone następująco:


BRĄZOWY = L linia
BŁĘKITNY = N zerowy.

Klasa izolacji I

Urządzenie to wykonane zostało w klasie I, dlatego powinno być podłączone do uziemienia.

- Podłączenie do sieci elektrycznej powinno zostać wykonane w następujący sposób:

BRĄZOWY = L linia
NIEBIESKI = N neutralny
ŻÓŁTO/ZIELONY =  uziemienie.

Przewód neutralny powinien zostać podłączony do zacisku oznaczonego symbolem **N**, natomiast przewód **ŻÓŁTO/ZIELONY** powinien zostać podłączony do zacisku w sąsiedztwie symbolu uziemienia .

Podczas czynności podłączenia elektrycznego należy upewnić się, czy gniazdko wyposażone jest w bolec uziemienia. Po zamontowaniu okapu odciągu należy upewnić się, czy gniazdko elektryczne jest łatwo dostępne. W przypadku bez-

pośredniego podłączenia do sieci elektrycznej koniecznym jest umieszczenie pomiędzy urządzeniem a siecią wyłącznika wielopolowego z minimalnym otwarciem między stykami wynoszącym 3 mm, przystosowanego do obciążenia zgodnego z obowiązującymi normami.

- Minimalna odległość między płaszczyzną nośną naczyń urządzenia kuchennego i najniższą częścią okapu kuchennego powinna wynosić przynajmniej **45 cm**.

Przy zastosowaniu rury łączącej składającej się z dwóch lub kilku części, część górna rury musi znajdować się wewnątrz części dolnej.

Nie należy łączyć przewodu wyciągowego okapu z przewodem, w którym krąży gorące powietrze lub z przewodem przeznaczonym do odprowadzania dymu z urządzeń zasilanych energią inną niż energia elektryczna.

- W przypadku montażu urządzenia w wersji ssącej przygotować otwór odprowadzenia powietrza.

- Sugeruje się, aby używać przewodu do odprowadzania powietrza o takiej samej średnicy jak otwór wylotowy. Używanie przewężenia może zmniejszyć sprawność produktu i zwiększyć hałas.

Uwaga!

- Przed przystąpieniem do czynności montażu, aby ułatwić obsługę kapy należy wykonać następujące czynności:

1. Wyjąć **filtr przeciwłuszczowy** pociągając za uchwyt jak na rysunku 2 - etap 1.

2. Jeżeli produkt posiada **filtry z węglem aktywnym (B-C)**, usunąć je jak wskazano na rysunku 2 - etap 2B-2C.

3. Odczepić **kopułę M** jak przedstawiono na rysunku 2 - etap 4.

• Montaż na ścianie (Rys.3):

Oznaczyć na ścianie dolny brzeg okapu, rysunek 3- etap 1 (pamiętając o minimalnej odległości od płaszczyzny gotowania).

- Ustawić wzornik mocujący na ścianie, zwrócić uwagę aby linia pokrywała się z linią wyznaczoną zgodnie z uwagami zamieszczonymi w poprzednim paragrafie.

- Zaznaczyć i wywiercić 4 otwory do zamocowania (rysunek 3- etap 2).

- Zamocować 4 kołki rozporowe i 2 śruby **A-B** nie dokręcając ich do końca rysunek 3- etap 2.

- Przyłożyć urządzenie do ściany i przymocować je ostatecznie ciągnąc za 2 śruby **B** rysunek 3- etap 3-4 i 2 śruby zabezpieczające **B** rysunek 3- etap 5.

- Podczas montażu należy stosować wkręty i kołki rozporowe odpowiednie do rodzaju ściany (np. beton zbrojony, płyta gipsowo-kartonowa itd.).

W przypadku wkrętów i kołków znajdujących się w zestawie, należy upewnić się, czy są one odpowiednie dla rodzaju ściany, na której ma być zamocowany okap.

• Montaż na ścianie WERSJA OPTIONAL (Rys.4):

Do tego modelu okapu istnieje opcja profili poziomujących, o jakie możecie się zwrócić do Waszego sprzedawcy.

Oznaczyć na ścianie dolny brzeg okapu, rysunek 3- etap 1 (pamiętając o minimalnej odległości od płaszczyzny gotowania).

- Ustawić wzornik mocujący na ścianie, zwrócić uwagę aby linia pokrywała się z linią wyznaczoną zgodnie z uwagami zamieszczonymi w poprzednim paragrafie.

- Zaznaczyć i wywiercić 4 otwory do zamocowania (rysunek 3- etap 2).

- Profile poziomujące **C** należy przymocować do podpory

okapu śrubami **D**, jak wskazano na rysunku 4 - faza 1. Należy uważać, aby 2 śruby poziomujące **D** nie były dokręcone.

- Urządzenie powiesić na dwóch śrubach **B**, rysunek 4 - faza 2.

- Wyosiować urządzenie w pozycji poziomej za pomocą dwóch śrub poziomujących **D**, rysunek 4 - faza 3.

- Po wyregulowaniu dokręcić 2 śruby **B**, rysunek 4 - faza 4 i ostatecznie przymocować okap do ściany za pomocą dwóch śrub zabezpieczających **B**, rysunek 4 - faza 5.

- Podczas montażu należy stosować wkręty i kołki rozporowe odpowiednie do rodzaju ściany (np. beton zbrojony, płyta gipsowo-kartonowa itd.).

W przypadku wkrętów i kołków znajdujących się w zestawie, należy upewnić się, czy są one odpowiednie dla rodzaju ściany, na której ma być zamocowany okap.

• Wersja filtrująca:

- Odczepić kopułę **M** i usunąć kratkę **E** (Rys.5).

- Przeciągnąć kabel zasilający przez otwór kopuły **M** wskazany na Rys.6.

- Umieścić prowadnicę kabla **H** pomiędzy kablem zasilającym a otworem.

- Zamocować kopułę **M** i kratkę **E** uważając, aby została idealnie zaczepiona za kołki mocujące **G** (Rys.6).

Filtry powinny być założone na zespół ssący znajdujący się wewnątrz okapu w pozycji centralnej i obracając je o 90 stopni aż do momentu zaskoczenia blokującego (Fig.10B).

• Wersja optional:

Ten model okapu może zawierać dodatkowo ozdobne komin, które można zamówić u sprzedawcy.

Przed zamontowaniem kominów ozdobnych usunąć kopułę i odkręcić 4 śruby **B**, które blokują elementy mocujące **G** jak wskazano na Rys.7.

• Montaż modeli z kominami ozdobnymi:

- Wersja zasysająca

Przygotować zasilanie elektryczne w zakresie wymiarów komin ozdobnego.

Podłączyć, za pomocą giętkiego przewodu rurowego **L** kołnierz **F** do otworu usuwania powietrza (Rys.7).

Wyregulować szerokość listwy wspierającej górny komin ozdobny (Rys.8).

Następnie zamocować ją na ścianie za pomocą śrub **A** oraz przestrzegając odległości wskazanej na Rys.8 tak, aby była wyrównana z waszym okapem.

Wsunąć górny komin ozdobny do dolnego i oprzeć je na okapie (Rys.9).

Zsunąć górny komin ozdobny do poziomu listwy i zamocować go za pomocą śrub **B** (Rys.8).

Aby przekształcić okap z wersji zasysającej w wersję filtrującą, należy zakupić filtry z węgla aktywnego i postępować według instrukcji montażu.

• Wersja z filtrem:

Uwaga!

- Aby okap **Z WENTYLATOREM** przekształcić na okap z **FILTREM**, należy zamówić u dostawcy filtry węglowe jako dodatkowe wyposażenie. Mamy do dyspozycji 3 inne Zestawy, jeden z filtrem z węglem aktywnym w skrzynce (Rys.10B) i drugi z filtrem z węglem aktywnym do wielokrotnego użytku (które można myć) (Rys.10C - Rys.10D).

- W zależności od posiadanego modelu, **OKRĄGLE** filtry węglowe należy włożyć do zespołu ssącego znajdującego się w okapie układającej je środkowo i przekraczając o 90 stopni do zatrasku blokującego (Rys. 10B), celem wymiany wykonać operację w odwrotnej kolejności.

W przypadku filtrów węglowych **ZMYWALNYCH** nadających

się regeneracji (Rys. 10C), wykonać instrukcje montażu podane w ZESTAWIE.

- Co do odnawialnych **ZMYWALNYCH OKRĄGLYCH** filtrów węglowych (Rys. 10D), wyjąć matę i postępować zgodnie z instrukcjami z paragrafu UŻYTKOWANIE I KONSERWACJA, "odnawialne filtry węglowe".

EKSPLLOATACJA I KONSERWACJA

• Zaleca się uruchomienie urządzenia przed przystąpieniem do gotowania jakiegokolwiek potrawy. Zaleca się, aby nie wyłączać urządzenia przez około 15 minut po zakończeniu gotowania potrawy w celu całkowitego usunięcia nieświeżego powietrza. Prawidłowe działanie okapu uwarunkowane jest prawidłową i regularną konserwacją; szczególną uwagę należy zwrócić na filtr przeciwłuszczowy oraz na filtr z węglem aktywnym.

• **Filtr przeciwłuszczowy** ma za zadanie zatrzymywanie cząstek tłuszczu zawieszonych w powietrzu, dlatego narażony jest na zatkanie, które może nastąpić w różnym czasie, zależnie od eksploatacji urządzenia.

- Aby zapobiec ewentualnemu ryzyku pożaru, maksymalnie co 2 miesiące należy ręcznie myć filtry przeciwłuszczowe, używając płynnych neutralnych nie ściernych środków czyszczących lub też myć je w zmywarce przy niskiej temperaturze i krótkich cyklach mycia.

- Po kilku myciach, ich kolor może się zmienić. Nie stanowi to powodu do reklamacji w celu ewentualnej wymiany.

• **Filtry z węglem aktywnym** służą do oczyszczania powietrza, które jest wypuszczane do otoczenia oraz zatrzymują nieprzyjemne zapachy powstające podczas gotowania.

- Filtry z węglem aktywnym nieregenerowane muszą być wymieniane maksymalnie co 4 miesiące. Nasylenie węgla aktywnego zależy od przedłużonego lub nie użycia urządzenia, rodzaju kucharki oraz częstotliwości czyszczenia filtra przeciwłuszczowego.

- Filtry z węglem aktywnym regenerowane muszą być myte ręcznie, neutralnymi nie ściernymi środkami myjącymi lub w zmywarce w maksymalnej temperaturze 65°C (cykl mycia musi być całkowity bez naczyni). Usunąć nadmiar wody uważając aby nie uszkodzić filtra, zdjąć plastikowe części i wysuszyć poduszkę w piekarniku przez około 15 minut w maksymalnej temperaturze 100°C. Aby utrzymać skuteczność filtra węglowego regenerowanego, taka czynność musi być powtarzana co 2 miesiące. Muszą być one wymieniane maksymalnie co 3 lata lub, gdy poduszka zostanie uszkodzona.

• **Przed ponownym zamontowaniem filtrów przeciwłuszczowych i filtrów z węglem aktywnym regenerowanych muszą być one dokładnie wysuszone.**

• **Często myć okap, zarówno wewnątrz, jak i na zewnątrz, przy pomocy szmatki zwilżonej denaturatem lub neutralnym środkiem myjącym w płynie, nie ściernym.**

• Instalacja oświetleniowa zaprojektowana jest do użytkowania podczas gotowania, a nie do długotrwałego użycia jako oświetlenie główne pomieszczenia. Przedłużone użytkowanie oświetlenia zmniejsza znacząco średnią trwałość żarówek.

• Jeżeli urządzenie jest wyposażone w **oświetlenie otoczenia**, może być ono używane przez dłuższe okresy jako ogólne oświetlenie.

• **Uwaga:** nieprzestrzeganie wskazówek dotyczących czyszczenia okapu i wymiany oraz czyszczenia filtrów powoduje ryzyko pożaru. Dlatego też, zaleca się przestrzeganie podanych instrukcji.

• **Wymiana lamp halogenowych (Rys.11A):**

Aby wymienić lampy halogenowe **B** ściągnąć szkiełko **C** wykorzystując do tego odpowiednie otwory. Wymienić lampy na takie same. **Uwaga:** nie dotykać lampy gołą ręką.

• **Wymiana lampek LED (Rys.11B):**

Jeżeli wersja urządzenia posiada lampki **LED**, w celu ich wymiany konieczna jest interwencja wyspecjalizowanego technika.

• **Wyświetlacz (Rys.12):**

Przycisk A = Przycisk włączający/wyłączający oświetlenie.

Przycisk B = Przycisk włączający/wyłączający urządzenie. Okap włączy się przy 1 prędkości. Przy uruchomieniu włączonym, naciskając przycisk przez 2 sekundy, nastąpi wyłączenie okapu. Jeżeli urządzenie pracuje przy pierwszej prędkości, aby wyłączyć okap, nie jest konieczne naciśnięcie przycisku. Silnik będzie pracował przy zmniejszonych obrotach.

Wyświetlacz C = Wskazuje wybraną prędkość i informuje, czy został włączony licznik czasu.

Przycisk D = Uruchamia okap. Naciskając taki przycisk nastąpi wzrost prędkości. Naciskając przycisk urządzenie w trzeciej prędkości przejdzie w intensywny tryb pracy, który będzie trwał ok. 6 sekund, po czym wróci do funkcjonowania przy wybranej poprzednio prędkości. W czasie uruchomienia takiej funkcji, wyświetlacz zapali się światłem migającym.

Przycisk E = Il timer reguluje czasowo funkcje, w chwili włączenia, przez 15 minut po ich wyłączeniu. Il timer wyłącza się ponownym wciśnięciem przycisku **E**. Kiedy funkcja Timer jest włączona to na wyświetlaczu dziesiętna pozycja ma migać. Jeżeli włączona jest prędkość intensywna wówczas timer nie można włączyć.

Wciśnięciem przycisku **E** na 2 sekundy, gdy urządzenie jest włączone, włącza się funkcję **"clean air"**. Włączy się wówczas silnik co godzinę na 10 minut przy pierwszej prędkości. Podczas funkcjonowania obrotowy ruch peryferyjnych segmentów. Po tym czasie silnik wyłączy się i na wyświetlaczu ukaże się litera **"C"** świecąca się w sposób ciągły przez następne 50 minut, po czasie którym silnik włączy się i tak dalej. Aby powrócić do normalnego funkcjonowania nacisnąć jakikolwiek przycisk z wyjątkiem przycisku oświetlenia. Aby dezaktywować funkcję, nacisnąć na przycisk **E**.

• **Nasylenie filtrów przeciwłuszczowych/z węgla aktywnego:**

- Kiedy wyświetlacz **C** miga zmieniając prędkość pracy na literę **F** (es. **1** e **F**) filtry przeciwłuszczowe mają być umyte.

- Gdy wyświetlacz **C** miga zmieniając prędkość pracy z literą **A** (np.: **1** i **A**) filtry z węglem aktywnym muszą być wymienione lub umyte lub wymienione w zależności od ich rodzaju.

Po umieszczeniu czystego filtra należy wyzerować elektroniczną pamięć naciśnięciem przycisku **A** na około **5 sekund** aż do momentu, kiedy sygnalizator świetlny **F** lub **A** na wyświetlaczu **C** przestanie migać.

- Jeśli wyświetlacz **C** nie przestaje migać, powtórzyc operację z włączonym silnikiem.

• **Wyświetlacz (Rys.13):**

UWAGA: za pomocą tego elementu można sterować urządzeniem również za pomocą pilota, który można zamówić, jako urządzenie dodatkowe.

Przycisk A = włącza/wyłącza okap. Urządzenie włącza się z 1. prędkością.

Przycisk B = zmniejsza prędkość silnika.

Wyświetlacz C = wskazuje na wybraną prędkość silnika i aktywację regulatora czasowego/prędkości intensywnego/sygnalizacji filtrów.

Przycisk D = zwiększa prędkość silnika.

Wciskając przycisk od 4. prędkości włącza się funkcję intensywną na 6 min, następnie urządzenie wraca do działania z prędkością pracy w chwili włączenia. Podczas tej funkcji na wyświetlaczu miga numer 4.

- Chcąc wyłączyć funkcję przed upływem 6 minut, wcisnąć przycisk **B**.

Uwaga! Niektóre modele pracują maksymalnie z 3. prędkością, dlatego nie przewidziano dla nich funkcji intensywnej.

Przycisk E = z jakąkolwiek włączoną prędkością 1-2-3 (z wyjątkiem prędkości intensywnej 4) po wciśnięciu przycisku włącza się funkcja Regulatora czasowego (timer). Gdy funkcja Regulatora czasowego jest aktywna, na wyświetlaczu musi migać prędkość ustawiona w chwili włączenia regulatora.

Po 15 min po upływie odliczania okap się wyłączy (silnik i ewentualne włączone światła).

Jeśli funkcja intensywnej jest aktywna, Regulatora czasowego nie można włączyć.

-Chcąc wyłączyć funkcję przed upływem 15 minut, wcisnąć przycisk **E**.

Przycisk F = włącza/wyłącza światła.

• **Nasycenie filtrów przeciwłuszczykowych/z węglem aktywnym:**

- Po **30 h** działania, gdy wyświetlacz **C** miga, pokazując na zmianę prędkość pracy i literę **F** (np. **2 i F**) oznacza to, że należy umyć **filtry przeciwłuszczykowe**.

- Po **120 h** działania, gdy wyświetlacz **C** miga, pokazując na zmianę prędkość pracy i literę **C/F** (np. **2 i C/F**) oznacza to, że należy umyć lub wymienić filtry węglowe.

- Po włożeniu czystego filtra należy wyzerować pamięć elektroniczną włączonego okapu, wciskając przycisk **B** na około **3 s**.

Po upływie tego czasu na wyświetlaczu pojawia się litera **E** (potwierdzenie zerowania) i okap się wyłącza.

DOSTAWCA UCHYLA SIĘ OD WSZELKIEJ ODPOWIEDZIALNOŚCI ZA EWENTUALNE USTERKI, SPOWODOWANE NIE-PRZESTRZEGANIEM WYŻEJ WYMIENIONYCH WSKAZÓWEK.

DESCRIERE GENERALĂ

Citiți cu atenție instrucțiunile de siguranță, utilizare și întreținere cuprinse în acest manual.

Păstrați cu grijă manualul de utilizare; pe viitor vă poate folosi. Acest aparat a fost proiectat în trei variante: aspirantă (cu evacuarea aerului la exterior, vezi Fig.1B), filtrantă (recirculația aerului în interior, vezi Fig.1A) sau cu un motor extern (vezi Fig.1C).

INSTRUCȚIUNI DE SIGURANȚĂ

1. Dacă dispuneți de o centrală termică sau de o altă sursă de încălzire care folosește, pentru combustie, aerul din încăpere, aveți grijă să nu funcționeze împreună cu hota, deoarece aceasta absoarbe aerul. Presiunea negativă din încăpere nu trebuie să depășească 4 pascali (4×10^{-3} bari). Pentru a garanta o funcționare corectă, asigurați-vă că ventilația din încăpere este adecvată. În ceea ce privește evacuarea aerului în mediul înconjurător, respectați normele naționale în vigoare.

Înainte de conectarea modelului la rețeaua electrică:

- Controlați plăcuța cu instrucțiunile (pusă în interiorul aparatului) pentru a vă asigura că tensiunea și energia să fie corespunzătoare acelei de la rețea și priza să fie potrivită. Dacă aveți nelămuriri întrebați pe un electricist calificat.

- În cazul în care cablul este deteriorat, acesta trebuie să fie înlocuit cu un cablu (sau cu un ansamblu) special; pentru aceasta, apelați la fabricant sau la serviciul de asistență tehnică.

- Racordați hota la rețeaua de alimentare, printr-un ștecăr cu siguranță fuzibilă de 3A sau la cele două fire ale rețelei bifazice protejate de o siguranță fuzibilă de 3A.

2. ATENȚIE!

În anumite situații, aparatele electrice pot reprezenta un pericol.

A) Nu controlați starea filtrelor în timp ce hota este în funcțiune.

B) Nu atingeți becurile sau zonele apropiate în timpul sau imediat după folosirea îndelungată a instalației de iluminat.

C) Nu frigeți alimentele direct pe flăcără, dacă hota este în funcțiune.

D) Evitați flăcările deschise, deoarece deteriorează filtrele și pot provoca incendii.

E) Dacă prăjiți în ulei, nu vă îndepărtați de aragaz, deoarece uleiul fierbinte poate lua foc.

F) Deconectați ștecherul de la priza de curent înainte de a efectua întreținerea.

G) Aparatul nu este destinat folosirii de către copii sau de către persoane incapabile fără supraveghere.

H) Supravegheați copiii, pentru a fi siguri că nu se joacă cu aparatul.

I) Când hota este folosită în același timp cu alte aparate care ard gaze sau alte combustibile, încăperea trebuie să fie ventilată corespunzător.

L) Dacă operațiunile de curățare nu sunt efectuate cu respectarea instrucțiunilor, există riscul producerii unui incendiu.

Acest aparat este contrasemnat în conformitate cu Directiva

Europeană 2002/96/EC, referitoare la "Waste Electrical and Electronic Equipment (WEEE)". Asigurându-vă că acest produs este scos din uz în mod corect, dv ca utilizator contribuiți la prevenirea puternicelor consecințe negative asupra mediului înconjurător și asupra sănătății.




Simbolul aplicat pe produs sau pe documentația de însoțire a acestuia vă arată că aparatul trebuie să fie tratat separat de deșeurile casnice; în acest scop el va trebui să fie încredințat unui centru de colectare adecvat, destinat reciclării aparatelor electrice și electronice. Scoaterea din uz a acestor produse este deci supusă normelor locale în materie de tratare a deșeurilor. Pentru informații ulterioare cu privire la tratarea, recuperarea sau reciclarea acestui produs, apelați la biroul local competent, la serviciul de colectare a deșeurilor casnice sau la magazinul de unde ați achiziționat aparatul.


INSTRUCȚIUNI DE MONTAJ

- **Toate operațiile de montaj și conectare electrică trebuie să fie efectuate de personal specializat.**
- **Utilizați mănuși de protecție înainte de a începe operațiunile de montare.**

• Conexiunea electrică:

Notă! Controlați plăcuța de date pusă în interiorul aparatului:

- Dacă pe plăcuță apare simbolul  înseamnă că aparatul nu trebuie legat la pământ, executați deci instrucțiunile privind clasa de izolație II.

- Dacă pe plăcuță nu apare simbolul  executați instrucțiunile privind clasa de izolație I.

Clasa de izolație II

- Hota intră în clasa de construcție II; de aceea, nu este necesar să o conectați la împământare. Ștecărul trebuie să fie ușor accesibil după instalarea aparatului. În cazul în care aparatul este prevăzut cu cablu fără ștecăr, pentru a-l conecta la rețeaua electrică este necesară interpunerea între aparat și rețea a unui întrerupător omnipolar cu deschiderea minimă între contacte de 3 mm, dimensionat la sarcină și conform normelor în vigoare.

- Conectarea la rețeaua electrică trebuie să respecte următoarele indicații:

MARO = L fază

ALBASTRU = N nul.

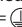
Clasa de izolație I


Acest aparat intră în clasa de construcție I; de aceea, nu este necesar să îl conectați la împământare.

- Conectarea la rețeaua electrică trebuie să respecte următoarele indicații:

MARO = L fază

BLEUMARIN = N neutru

GALBEN/VERZUI =  împământare.

Cablul de nul trebuie să fie conectat la borna cu simbolul N în timp ce cel GALBEN/VERZUI, trebuie să fie conectat la borna de lângă simbolul de împământare (masa) .

La efectuarea legăturilor electrice, asigurați-vă ca priza de curent este dotată cu firul de împământare. După montarea hotei de aspirare, asigurați-vă ca priza este ușor accesibilă. Dacă

veți efectua conectarea direct la rețeaua electrică, este necesar să echipați cablul cu un întrerupător omnipolar cu deschiderea contactelor de 3 milimetri, capabil să suporte sarcina electrică indicată, conform normelor în vigoare.

- Distanța minimă între suprafața, suportului vaselor de gătit de pe aragaz și partea cea mai joasă a hotei de la bucătărie, trebuie să fie de cel puțin **45 cm**.

Dacă veți folosi un tub de evacuare compus din două segmente, segmentul superior trebuie să fie în exteriorul segmentului inferior. N

u conectați tubul de evacuare a aburilor la o conductă de aer cald sau care servește și la evacuarea aburilor care provin de la alte instalații de încălzire, mai ales dacă alimentarea acestora nu este electrică.

- În caz că aparatul este montat în versiune aspirantă predispușă gaura de evacuare al aerului.

- Se recomandă folosirea unui tub de evacuare a aerului care să aibă același diametru ca și gura de evacuare a aerului. Utilizarea unei reducții poate diminua performanțele aparatului și mări nivelul de zgomot.

Atenție!

- Înainte de a începe operațiile de montare, pentru a manevra aparatul cu mai multă ușurință, efectuați următoarele operații:
1. Scoateți **filtrul împotriva grăsimii** trăgând de mâner conform indicațiilor din figura 2 - faza 1.

- 2.** Dacă produsul este dotat cu **filtre cu cărbune activ (B-C)**, scoateți-le conform indicațiilor din figura 2 - faza 2B-2C.

- 3.** Desprindeți **cupola M** conform indicațiilor din figura 2 - faza 4.

• Montarea pe perete (Fig.3):

Trasați latura inferioară a hotei pe perete, ca în figura 3 - faza 1 (ținând cont de distanța minimă necesară față de plită).

- Poziționați șablonul de fixare pe perete, în așa fel încât linia să se suprapună peste cea trasată conform instrucțiunilor de la paragraful anterior.

- Însemnați și realizați cele 4 găuri pentru fixare figura 3 - faza 2.
- Fixați cele 4 dibluri cu expansiune și cele 2 șuruburi **A-B** fără a le înșuruba complet figura 3 - faza 2.

- Amplasați aparatul pe perete și fixați-l în mod definitiv trăgând cele 2 șuruburi **B** figura 3 - faza 3-4 și cele 2 șuruburi de siguranță **B** figura 3 - faza 5.

În funcție de tipul peretelui (de ex. beton armat, ghips-carton) folosiți șuruburile sau diblurile cu expansiune adecvate. Dacă hota a fost livrată cu șuruburile sau diblurile respective, controlați dacă acestea se potrivesc, într-adevăr, cu tipul de perete pe care o veți monta.

• Montarea pe perete OPȚIUNE (Fig.4):

Acest model de hotă poate fi dotat opțional cu suporturi de nivelare pe care le puteți solicita agentului de vânzare.

Trasați latura inferioară a hotei pe perete, ca în figura 3 - faza 1 (ținând cont de distanța minimă necesară față de plită).

- Poziționați șablonul de fixare pe perete, în așa fel încât linia să se suprapună peste cea trasată conform instrucțiunilor de la paragraful anterior.

- Însemnați și realizați cele 4 găuri pentru fixare figura 3 - faza 2.

- Luați suporturile de nivelare **C** și fixați-le pe suportul hotei cu ajutorul șuruburilor **D** conform indicațiilor din figura 4 - faza 1; acordați atenție ca cele 2 șuruburi de nivelare **D** să nu fie strânse.

- Luați aparatul și așezați-l pe cele două șuruburi **B** figura 4 - faza 2.

- Aliniați aparatul în poziție orizontală acționând asupra celor două șuruburi de nivelare **D** figura 4 - faza 3.

- După reglare strângeți cele 2 șuruburi **B** figura 4 - faza 4 și fixați definitiv hota pe perete cu cele două șuruburi de siguranță **B** figura 4 - faza 5.

- În funcție de tipul peretelui (de ex. beton armat, ghips-carton) folosiți șuruburile sau diblurile adecvate.

Dacă hota a fost livrată cu șuruburile sau diblurile respective, controlați dacă acestea se potrivesc, într-adevăr, cu tipul de perete pe care o veți monta.

• Versiune cu filtrare:

- Desprindeți calota **M** și scoateți grilajul **E** (Fig.5).

- Treceți cablul de alimentare prin orificiul calotei **M** indicat în Fig.6.

- Luați canalul pentru cablu **H** și așezați-l între cablul de alimentare și gaură.

- Așezați la loc cupola **M** și grila **E** și asigurați-vă că s-a agățat perfect de pivoții de fixare **G** (Fig.6).

Filtrurile trebuie să fie puse la grupul de aspirație care sunt înăuntrul hotei și fixați în mijlocul acestuia cu o rotație de 90 de grade până la declansarea opririi (Fig.10B).

• Opțiune:

Acest model de hotă poate avea ca piese opționale și coșuri de fum decorative; pentru aceasta, adresați-vă vânzătorului. Înainte de a instala căminele decorative trebuie să îndepărtați calota și să deșurubați cele 4 șuruburi **B** ce blochează tijele de fixare **G** cum se indică în Fig.7.

• Instalare pentru modele cu cămine decorative:

Versiune cu aspirare

Prevedeți alimentarea electrică în cadrul dimensiunilor căminului decorativ.

Conectați, printr-un tub flexibil **L**, flanșa **F** la orificiul de evacuare aer (Fig.7).

Reglați lățimea bridei de suport a căminului decorativ superior (Fig.8).

Apoi fixați-o la perete pentru a fi pe aceeași axă cu hota dvs. cu șuruburile **A** și respectând distanța indicată în Fig.8.

Introduceți coșul decorativ superior în interiorul coșului decorativ inferior și așezați-le deasupra hotei (Fig.9).

Desprindeți căminul decorativ superior până la bridă și fixați-l cu șuruburile **B** (Fig.8).

Pentru a schimba hota de la varianta aspirantă la varianta filtrantă, apelați la vânzător pentru furnizarea filtrelor de carbon activ; pentru montajul acestora, urmăriți instrucțiunile.

• Varianta filtrantă:

Atenție!

- Pentru a transforma hota din versiunea **ASPIRANTĂ** în versiunea **FILTRANTĂ** filtrele cu cărbune trebuie comandate de la furnizorul dumneavoastră ca accesoriu separat. Avem disponibile 3 tipuri diverse de Kit, unul cu filtre cu cărbune cu sertar (Fig.10B) iar celălalt cu filtre cu cărbune regenerabile (lavabile) (Fig.10C - Fig.10D).

- În funcție de model, filtrele cu cărbune activ **CIRCULARE**, trebuie montate pe grupul de aspirație aflat în interiorul hotei; filtrele trebuie centrate pe grup și rotite cu 90 de grade până se aude un clic de oprire (Fig.10B); pentru înlocuire procedați în sens invers.

- Pentru filtrele cu cărbune activ regenerabile **LAVABILE**

(Fig.10C), respectați instrucțiunile de montare aflate în KIT.

- Pentru filtrele cu cărbune activ **LAVABILE CIRCULARE** (Fig.10D), înlăturați țesătura și urmați instrucțiunile din paragraful UTILIZARE ȘI ÎNTREȚINERE, "filtre cu cărbune activ regenerabile".

INSTRUCȚIUNI DE SIGURANȚĂ

• Se recomandă să porniți hota înainte de a începe coacerea alimentelor. Lăsați hota în funcțiune 15 minute după stingerea aragazului, pentru a elimina complet mirosul de mâncare. Funcționarea corectă a hotei depinde de întreținerea ei în mod periodic, conform indicațiilor; o atenție mărită trebuie acordată filtrului degresant și filtrului de carbon activ.

• **Filtrul degresant** capturează suspensiile de grăsime din aer și de aceea se poate deseori obtura, în funcție de folosirea aparatului.

- Pentru a preveni pericolul de incendii, la fiecare 2 luni este necesară spălarea filtrelor antițărâșime; acestea vor fi spălate cu mâna, folosind un detergent neutru neabraziv sau în mașina de spălat vase la temperaturi reduse, efectuând cicluri rapide.

- După câteva spălări, pot fi verificate alterațiile de culoare. Acest lucru nu dă dreptul la reclamații în vederea înlocuirii lor.

• **Filtrele cu cărbune activ** au scopul de a depura aerul care este eliberat în atmosferă și au funcția de a diminua mirosurile neplăcute datorate gătitului.

- Filtrele cu cărbune activ neregenerabile trebuie înlocuite la maxim fiecare 4 luni. Saturația cărbunelui activ depinde de utilizarea mai mult sau mai puțin îndelungată a aparatului, de tipul de mâncăruri găsite și de intervalele la care este realizată curățarea filtrului antițărâșime.

- Filtrele cu cărbune activ regenerabil trebuie spălate cu mâna, cu detergenți neutri neabrazivi, sau în mașina de spălat vase la o temperatură de maxim 65°C (ciclul de spălare trebuie să fie complet și fără vase). Înlăturați apa în exces având grijă să nu deteriorați filtrul, îndepărtați elementele din plastic și uscați materialul în cuptor timp de cel puțin 15 minute la o temperatură de maxim 100°C. Pentru a păstra eficiența filtrului cu cărbune regenerabil, această operație trebuie efectuată la fiecare 2 luni. Acestea trebuie înlocuite la maxim fiecare 3 ani sau în momentul în care materialul de filtrare este deteriorat.

• **Înainte de a monta la loc filtrele antițărâșime și filtrele cu cărbune activ regenerabile este important ca acestea să fie bine uscate.**

• **Curățați hota des, atât pe interior cât și pe exterior, cu ajutorul unei lavete îmbibate în spirit sau cu un detergent neutru, neabraziv.**

• Instalata de lumină este proiectată numai pentru folosirea ei în timpul gătitului și nu pentru a asigura iluminarea generală a încălzărilor. Folosirea îndelungată a luminii hotei reduce mult durata de viață a becurilor.

• Dacă aparatul este dotat cu **lumină ambient** aceasta poate fi folosită timp îndelungat pentru iluminarea generală a ambintelui.

• **Atenție:** nerespectarea avertizărilor privind curățarea hotei, înlocuirea și curățarea filtrelor duce la crearea riscurilor de incendii. Este recomandată respectarea cu strictețe a instrucțiunilor prezentate.

• **Înlocuirea becurilor cu halogen (Fig.11A):**

Pentru a înlocui becurile cu halogen **B** îndepărtați geamul din sticlă **C** apăsând clamele din fisurile corespunzătoare. Înlocuiți becurile arse cu altele noi, de același tip. **Atenție:** nu atingeți becul cu mâna.

• **Înlocuire becuri LED (Fig.11B):**

Dacă versiunea aparatului este cu becuri **LED** pentru înlocuire este necesară intervenția unui tehnician specializat.

• **Comenzi (Fig.12):**

Butonul A = Aprinde/stinge lumina.

Butonul B = Pornește/oprește hota. Micșorează viteza motorului. Punerea în funcțiune a hotei se realizează la viteza 1. Dacă hota este în funcțiune, apăsați butonul timp de 2 secunde pentru a o opri. Dacă hota este în viteza 1, nu este necesar să o opriți.

Display C = Indică viteza selectată și activează temporizatorul.

Butonul D = Pornește hota. Mărește viteza motorului. Prin apăsarea butonului corespunzător vitezei a 3a, se intensifică funcționarea timp de 6', după care hota se întoarce la viteza inițială. În acest interval de timp display-ul emite o lumină intermitentă.

Butonul E = Timer-ul cronometrează durata funcțiilor, din momentul activării lor, timp de 15 minute; apoi, acestea sunt dezactivate. Timer-ul se dezactivează apăsând din nou butonul **E**. Când funcția Timer este activă, zecimalele de pe display emit un semnal intermitent. Dacă funcția Viteza intensiva este activată, Timer-ul nu poate fi pus în funcțiune.

Apăsând butonul **E** timp de 2 secunde, când aparatul este oprit, se activează funcția "**clean air**". Aceasta pune în funcțiune motorul 10 minute pe ora, la viteza întâi. În timpul funcționării, pe ecran apare o mișcare rotativă, a segmentelor periferice. La expirarea timpului, motorul se oprește iar pe ecran apare litera **C**, cu un semnal luminos stabil, care rămâne în acest fel 50 de minute; apoi, motorul se repune în funcțiune alte 10 minute, s.a.m.d. Pentru a vă întoarce la modul normal de funcționare apăsați o tastă oarecare cu excepția celor aprinse. Pentru a dezactiva funcția apăsați tasta **E**.

• **Saturarea filtrului de degresare/carbon activ:**

- Când ecranul **C** este intermitent și viteza de funcționare se alternează cu litera **F** (de ex.1 și **F**) este necesar să spălați filtrele degresante.

- Când display-ul **C** pălăie afișând în mod alternativ viteza de exercițiu și litera **A** (ex.1 și **A**) filtrele cu cărbune activ trebuie înlocuite sau spălate în funcție de tipul de filtru folosit.

După montarea unui filtru curat, este necesar să resetați memoria electronică apăsând tasta **A** timp de **5 sec.**, până când ledurile **F** sau **A** de pe ecranul **C** încetează să fie intermitente.

- Dacă display-ul **C** continuă să lumineze intermitent, repetați operația cu motorul pornit.

• **Comenzi (Fig.13):**

NOTĂ: cu această comandă puteți controla aparatul, de asemenea, cu o telecomandă furnizată la cerere ca accesoriu.

Tasta A = Pornire/oprire hotă. Aparatul pornește la viteza 1.

Tasta B = Reduce viteza motorului.

Display C = Indică viteza motorului selecționată și activarea timer-ului/viteză intensivă/semnalarea filtrelor.

Tasta D = Mărește viteza motorului.

La apăsarea tastei vitezei 4 se activează funcția intensivă timp de 6 min., apoi aparatul revine la viteza de funcționare din momentul activării. În timpul acestei funcții pe display luminează intermitent numărul 4.

- Dacă doriți să dezactivați funcția înainte de expirarea celor 6 minute apăsați tasta **B**.

Atenție! Unele modele funcționează până la viteza 3, prin urmare funcția intensivă nu este prevăzută.

Tasta E = La orice viteză - viteza 1-2-3 (exclusă viteza intensivă 4) apăsând această tastă se activează funcția Timer. Când funcția Timer este activă pe display trebuie să lumineze intermitent viteza setată în momentul activării timer-ului.

După 15 min. de la terminarea numărării hota se oprește (motor și eventuale lumini aprinse).

Dacă viteza intensivă este activă, Timer-ul nu poate fi activat.

- Dacă doriți să dezactivați funcția înainte de expirarea celor 15 minute apăsați tasta **E**.

Tasta F = Aprinde/stinge luminile.

• **Saturația filtrelor antigrăsime/cărbune activ:**

- După **30 h** de funcționare, când displayul **C** luminează intermitent alternând viteza de funcționare cu litera **F** (ex. **2** și **F**), înseamnă că filtrele antigrăsime **trebuie spălate**.

- După **120 h** de funcționare, când displayul **C** luminează intermitent alternând viteza de funcționare cu litera **C/F** (ex. **2** și **C/F**), înseamnă că filtrele cu cărbune trebuie spălate și înlocuite.

- După reparația filtrului curat, resetați memoria electronică cu hota pornită, apăsând tasta **B** timp de aproximativ **3 sec.**

După 3 sec. pe display apare litera **E** (confirmare resetare efectuată) și hota se oprește.

PRODUCĂTORUL ÎȘI DECLINĂ ORICE RESPONSABILITATE PENTRU DAUNELE PROVOCATE PRIN NERESPECTAREA INSTRUCȚIUNILOR DE MAI SUS.

ОБЩИЕ СВИДЕНИЯ

Внимательно прочитайте содержание данной инструкции, поскольку содержит важные указания, относящиеся к безопасности установки, эксплуатации и техобслуживания. Сохраните инструкцию для любой дальнейшей консультации. Устройство разработано в следующих вариантах исполнения: вытяжное устройство (удаление воздуха из помещения - Рис.1B), фильтрующее устройство (рециркуляция воздуха внутри помещения - Рис.1A) или вариант с применением наружного электродвигателя (Рис.1C).

МЕРЫ ПРЕДОСТОРОЖОСТИ

1. Быть внимательным, если одновременно работает вытяжка и горелка или очаг, нуждающиеся в окружающем воздухе и запитываемые иной энергией, кроме электрической. В таком случае вытяжка удаляет из помещения воздух, нужный для процесса сгорания в горелке или очаге.

Отрицательное давление в помещении не должно превышать 4Pa (4×10^{-5} bar). Для надежной и безопасной работы следует обеспечить вентиляцию помещения. Для наружных выбросов соблюдать правила, действующие в Вашей стране.

Прежде чем подключить прибор к электрической сети:

- Убедиться в соответствии напряжения и мощности прибора, данные о которых помещены на заводской паспортной табличке, сетевым показателям, а также соответствие электросоединителя (розетки). В случае несоответствия розетки обратиться к квалифицированному электрику.
- Если провод электропитания поврежден, замените его или весь специальный узел у производителя или в полномочном центре технического обслуживания.
- Подсоединить устройство к сети электропитания посредством штепсельной вилки с предохранителем 3 A или двух полюсных проводов с предохранителем 3 A.

2. Внимание!

В некоторых случаях электрические приборы могут быть опасными.

- A) Не проверяйте состояние фильтров при работающей вытяжке.**
- B) Не прикасайтесь к лампочкам или к прилегающим зонам в процессе работы системы освещения или сразу же после ее выключения.**
- C) Запрещается готовить блюда на открытом пламени под кухонной вытяжкой.**
- D) Избегайте открытого пламени, так как оно повреждает фильтры и может привести к возгоранию.**
- E) В процессе жарки во фритюре непрерывно следите за процессом во избежание возгорания кипящего масла.**
- F) Отсоединяйте штепсельную вилку от сетевой розетки перед началом технического обслуживания.**
- G) Изделие не рассчитано на эксплуатацию детьми или недееспособными лицами без контроля.**
- H) Не разрешайте детям играть с изделием.**
- I) Если вытяжка используется одновременно с другими приборами, в которых используется топливный газ или другие виды топлива, в помещении должна быть обеспечена надлежащая вентиляция.**
- L) В случае выполнения операций по чистке без соблюдения инструкций существует опасность возгорания.**

Данное изделие имеет маркировку соответствия Европейскому Нормативу 2002/96/EC, Утилизация электрических и электронных изделий (WEEE). Проверьте, чтобы по окончании его срока службы данное изделие было сдано в утиль. Этим Вы сможете сохранить окружающую среду.




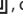
Символ на изделии или в прилагающейся к нему документации означает, что данное изделие не должно рассматриваться как бытовые отходы, а должно быть сдано в специальный центр утилизации, занимающийся уничтожением электрических и электронных приборов. Изделие должно быть сдано в утиль в соответствии с местными нормативами по утилизации отходов. За дополнительными сведениями касательно обработки, утилизации и уничтожения данного изделия обращайтесь в местное отделение сбора домашних бытовых приборов или в магазин, в котором было куплено изделие.

ИНСТРУКЦИИ ПО УСТАНОВКЕ

- **Монтаж и электрическое подключение должны выполняться квалифицированным техником.**
- **Перед тем, как приступить к монтажным операциям, надеть защитные перчатки.**

• Электрическая связь:

Примечание! Проверьте табличку данных, расположенную внутри аппарата:

- Если на табличке имеется символ , это значит, что аппарат не должен заземляться, в связи с чем необходимо следовать инструкциям в отношении типа изоляции II.
- Если на табличке **НЕТ** символа , следуйте инструкциям в отношении типа изоляции I.

Тип изоляции II

- Прибор имеет класс II, поэтому к заземлению не надо подсоединять никакой провод. Необходимо обеспечить легкий доступ к штепселю после установки аппарата.

В случае поставки аппарата с кабелем без штепселя, для того чтобы подключить его к электрической сети, необходимо установить между аппаратом и сетью мультиполярный выключатель с минимальным расстоянием между контактами 3 мм, рассчитанный на данную нагрузку и соответствующий действующим нормативам.

- Подсоединение к сети электропитания производится в следующем порядке: коричневый - L - линия синий - N - нейтральный.


Тип изоляции I


Данное изделие относится к классу I, поэтому должно подсоединяться к заземлению.

- Подсоединение к сети электропитания производится в следующем порядке:

КОРИЧНЕВЫЙ = L сеть

СИНИЙ = N нейтраль

ЖЕЛТО-ЗЕЛЕНЫЙ =  заземление.

Провод нейтрали должен подсоединяться к зажиму с символом **N**, а ЖЕЛТО-ЗЕЛЕНЫЙ провод - к зажиму с символом заземления .

В процессе электрического подключения проверьте, чтобы электрическая розетка была оснащена контактом заземления. После монтажа кухонной вытяжки проверьте, чтобы штепсельная вилка изделия была легкодоступной. В случае

прямого подключения к сети электропитания необходимо установить между изделием и сетью мультиполярный выключатель с минимальным расстоянием между контактами 3 мм, рассчитанный на данную нагрузку и соответствующий действующим нормативам.

- Минимальная дистанция между опорной нагревающейся плоскостью и нижней частью кухонного дымососа должна быть не менее **45 см**. Если применяется соединительная труба из двух и более частей, то верхняя часть должна располагаться снаружи нижней части. Не соединять выброс из вытяжки с каналом циркуляции горячего воздуха или с каналом, используемым для отвода дыма от устройств, запыливаемых иной энергией кроме электрической.
- В том случае, если прибор монтируется с вытяжным устройством, рекомендуется обеспечить помещение выводным отверстием.

- Рекомендуется использовать трубу дымохода с таким же диаметром, что и отверстие подачи воздуха. Использование суженной трубы может сократить КПД вытяжки и увеличить ее шумовой уровень.

Внимание!

- Перед выполнением операций по монтажу для облегчения маневренности вытяжки выполнить следующие операции:

- 1.** Снимите **жировой фильтр**, потянув за ручку, как указано на рисунке 2 - фаза 1.
- 2.** Если изделие поставляется с **фильтрами на активированном угле (В-С)**, снимите их, как указано на рисунке 2 - фазы 2В-2С.
- 3.** Отсоединить **купол М**, как указано на рисунке 2 - фаза 4.

• Настенное крепление (Рис.3):

Отметьте нижний край вытяжки на стене рисунок 3 - фаза 1 (с учетом минимального расстояния от варочной панели).

- Приложите крепежное лекало к стене, обращая внимание, чтобы линия совпала с линией, отмеченной ранее.

- Отметьте и просверлите 4 отверстия для крепления вытяжки рисунок 3 - фаза 2.

- Закрепите 4 дюбеля и 2 винта **А-В**, не заворачивая их полностью, рисунок 3 - фаза 2.

- Приставьте вытяжку к стене и окончательно зафиксируйте ее, затянув 2 винта **В** рисунок 3 - фаза 3-4 и два предохранительных винта **В** рисунок 3 - фаза 5.

В зависимости от варианта монтажа используйте винты (шурупы) и дюбели, соответствующие типу стены (например, железобетон, гипсокартон и т. д.). Если винты и дюбели входят в комплект поставки, следует удостовериться в том, что они подходят для того типа стены, на которой должен быть смонтирован колпак.

• Настенное крепление ДОПОЛНИТЕЛЬНЫЕ ДЕТАЛИ (Рис.4):

Данная модель вытяжного зонта может быть дополнительно оснащена выравнивающими скобами, которые необходимо запросить у дилера.

- Отметьте нижний край вытяжки на стене рисунок 3 - фаза 1 (с учетом минимального расстояния от варочной панели).

- Приложите крепежное лекало к стене, обращая внимание, чтобы линия совпала с линией, отмеченной ранее.

- Отметьте и просверлите 4 отверстия для крепления вытяжки рисунок 3 - фаза 2.

- Взять две скобы для выравнивания **С** и прикрепить к суппорту вытяжного зонта с помощью винтов **Д**, как показано на рисунке 4 - этап 1, обратить внимание, чтобы 2 нивелирных винта **Д** не были затянуты.

- Взять аппарат и повесить его на два винта **В** рисунок 4 - этап 2.

- Выровнять аппарат в горизонтальном положении с помощью нивелирных винтов **Д** рисунок 4 - этап 3.

- По завершении регулировки затянуть 2 винта **В** рисунок 4 - этап 4 и окончательно закрепить вытяжной зонт к стене с помощью двух предохранительных винтов **В** рисунок 4 - этап 5. В зависимости от варианта монтажа используйте винты (шурупы) и дюбели, соответствующие типу стены (например, железобетон, гипсокартон и т. д.). Если винты и дюбели входят в комплект поставки, следует удостовериться в том, что они подходят для того типа стены, на которой должен быть смонтирован колпак.

• Фильтрующая версия:

- Отсоединить колпак **М** и снять решётку **Е** (Рис.5).

- Провести силовую кабель в отверстие в колпаке **М**, указанное в Рис.6.

- Установите кабельный прижим **Н** и разместите его между силовым кабелем и отверстием.

- Установите в первоначальное положение колпак **М** и решётку **Е**, стараясь, чтобы он оказался полностью закреплённым на крепежных штырях **Г** (Рис.6).

Фильтры должны быть помещены на всасывающее устройство, расположенное во внутренней части дымососа. Установить фильтры строго по центру и затем повернуть на 90 градусов до щелчка (Рис.10В).

• Дополнительные детали:

Данная модель кухонной вытяжки в качестве дополнительной детали может быть оснащена декоративным камином, который Вы можете заказать в магазине.

Перед установкой декоративного дымоотвода, необходимо снять колпак и отвинтить 4 болта **В**, блокирующие крепежные штыри **Г**, как показано на Рис.7.

• Установка для моделей с декоративными дымоотводами:

Вытяжная версия

Подготовить электропитание в пределах декоративного дымоотвода.

С помощью гибкой трубы **Л**, подсоединить фланец **Ф** к выдному отверстию воздуха (Рис.7).

Отрегулировать ширину опорной скобы верхнего декоративного дымоотвода (Рис.8).

Затем закрепить к стене таким образом, чтобы он был на одном уровне с вытяжкой, использовать шурупы **А** и соблюдать расстояние, указанное на Рис.8.

Введите верхний декоративный дымоотвод в нижний и установите конструкцию над корпусом вытяжки (Рис.9).

Снять верхний декоративный дымоотвод до скобы и закрепить с помощью шурупов **В** (Рис.8).

Для превращения колпака из вытяжного в фильтрующий обратитесь к своему дилеру для получения фильтров с активированным углем и следуйте инструкциям по установке.

• Фильтрующая модель:

Внимание!

- Для преобразования вытяжки из модели **ВСАСЫВАНИЯ** в модель **ФИЛЬТРОВАНИЯ** необходимо заказать угольные фильтры у вашего продавца.

Имеются 3 разных типа комплектов, один с фильтрами с активированным углем в кассете (Схема 10В), второй с фильтрами с регенерируемым активированным углем (промываемые) (Схема 10С - Схема 10D).

- В зависимости от имеющейся модели, фильтры с активированным углём **КРУГЛОЙ ФОРМЫ**, должны устанавливаться на всасывающий блок, находящийся внутри вытяжки, для чего

необходимо отцентрировать их на блоке, а затем повернуть на 90 градусов до характерного щелчка фиксации (Рис. 10В). Для замены фильтра, выполните операции в обратном порядке.

- Для регенерируемых **МОЮЩИХСЯ** фильтров с активированным углём (Рис. 10С), следовать инструкциям по монтажу, находящимся в НАБОРЕ.

- Что касается самовосстанавливающихся, **МОЮЩИХСЯ ЦИРКУЛЯРНЫХ** фильтров из активированного угля (Рис. 10Д), достать прокладку и следовать инструкции, приведенным в параграфе ЭКСПЛУАТАЦИЯ И ТЕХОБСЛУЖИВАНИЕ, "самовосстанавливающиеся фильтры из активированного угля".

ЭКСПЛУАТАЦИЯ И ТЕХОД

• Рекомендуем ввести аппарат в эксплуатацию, прежде чем приступать к варке какого-либо элемента. Рекомендуем оставить работать аппарат на 15 минут, после завершения приготовления пищи, чтобы полностью выпустить тяжелый воздух.

Хорошее функционирование колпака обусловлено правильным и постоянным техническим обслуживанием; особое внимание следует уделить фильтру жира и активированного угля.

• **Жироудаляющий фильтр** должен удерживать жирные взвешенные частицы в воздухе, следовательно, его загрязнение зависит от времени работы прибора.

- Во избежание риска пожара, не реже двух раз в месяц необходимо промывать жироудаляющие фильтры вручную с использованием жидких нейтральных моющих средств без абразивных добавок, или мыть в посудомоечной машинке при низкой температуре и в короткие циклы.

- Цвет может измениться, после нескольких промывок. Этот факт не даёт права на жалобу и замену детали.

• **Фильтры с активированным углём** необходимы для очистки воздуха в помещении и удаляют неприятные запахи при приготовлении пищи.

- Не регенерируемые фильтры с активированным углём необходимо заменять не реже 1 раза в 4 месяца. Насыщение активированного угля зависит от того, часто использовался прибор, от вида кухни и от регулярности очистки жироудаляющего фильтра.

- Регенерируемые фильтры с активированным углём необходимо мыть вручную, с использованием нейтральных моющих средств без абразивных добавок, или в посудомоечной машине при температуре не выше 65°C (при этом в машине не должно находиться посуды). Удалить лишнюю воду, не повреждая фильтр, снять пластмассовые детали и высушить коврик в печи, не менее чем 15 минут при температуре не выше 100°C. Чтобы поддерживать фильтр с активированным углём в эффективном состоянии, эту операцию необходимо проводить каждые 2 месяца.

Не менее чем раз в 3 года фильтр необходимо заменять, или когда на коврике обнаружены повреждения.

• **Перед тем, как установить жироудаляющие фильтры и фильтры с активированным углём, необходимо их тщательно высушить.**

• **Необходимо часто очищать колпак как внутри, так и снаружи, используя увлажненную денатурированным спиртом ткань или нейтральные не царапающие жидкие моющие средства.**

• Лампы вытяжки служат для освещения варочной панели во время приготовления и не рассчитаны на длительное включение для обычного освещения помещения.

Продолжительное использование ламп вытяжек значительно сокращает их средний срок службы.

• Если прибор оснащён освещением помещения, оно может быть использовано для длительного применения всего освеще-

ния помещения.

• **Внимание:** несоблюдение рекомендаций по очистке вытяжки и замене и очистки фильтров, приводит к опасности пожара. Рекомендуется следовать приведённым инструкциям.

• **Замена галогенных ламп (Рис.11А):**

Для замены галогенных ламп **В** снимите стеклянную крышку **С**, поддев ее отверткой в специальных пазах. Замените лампы на лампы такого же типа. **Внимание:** не прикасайтесь к лампам голыми руками.

• **Замена светодиодных ламп (Рис.11В):**

На исполнении со **СВЕТОДИОДНЫМИ** лампами, замену ламп должен производить специализированный технический персонал.

• **Органы управления (Рис.12):**

Клавиша А = Включает/выключает подсветку.

Клавиша В = Включение/выключение вытяжки. Вытяжка включается на 1-ой скорости. Если вытяжка включена, нажмите кнопку на 2 секунды, чтобы выключить ее. Если вытяжка работает на 1-ой скорости, не нужно держать кнопку нажатой для ее выключения. Скорость двигателя сокращается.

Дисплей С = показывает скорость мотора, которая была набрана, и включение таймера.

Клавиша D = включает вытяжку. Увеличивает скорость мотора. Нажатие клавиши 3-й скорости вызывает активацию функции интенсивного режима на 6 мин, по истечении которых восстанавливается скорость работы, активной в момент включения данной функции. На период действия интенсивного режима имеет место мигание индикатора.

Клавиша E = Таймер на 15 минут напоминает функции в момент включения после отключения этих функций. Таймер отключается повторным нажатием кнопки **E**. Когда функция Таймер включена, на дисплее должно мигать десятичное значение. Если работает интенсивная скорость, включить функцию Таймер нельзя.

Нажав кнопку **E** на 2 секунды при выключенной вытяжке, включается функция "clean air". Эта функция включает двигатель на 1-ой скорости на 10 минут каждый час. В процессе функционирования на дисплее показываются вращающиеся боковые сегменты. По истечении этого времени двигатель выключается, и на дисплее появляется буква "C" до следующего запуска двигателя на 10 минут по прошествии 50 минут. Чтобы вернуться к нормальной работе, нажать на любую кнопку кроме освещения. Чтобы отключить функцию нажать на кнопку **E**.

• **Засорение фильтров-жироуловителей/фильтра с активированным углем:**

- Когда на дисплее **С** попеременно мигают значение рабочей скорости и буква **F** (например, **1** и **F**) необходимо вымыть фильтры-жироуловители.

- Когда на дисплее **С** попеременно мигают рабочая скорость и буква **A** (например, **1** и **A**) необходимо заменить или промыть фильтры с активированным углём, в зависимости от вида фильтра.

После установки фильтра на место после чистки необходимо обнулить электронную память, нажав кнопку **A** примерно на **5 сек.** вплоть до прекращения мигания буквы **F** или **A** на дисплее **С**.

- Если дисплей **С** не перестаёт мигать, повторите операции с включённым двигателем.

• **Органы управления (Рис.13):**

ПРИМЕЧАНИЕ. данное устройство управления позволяет управлять прибором в том числе посредством пульта

дистанционного управления, который можно запросить в качестве дополнительной комплектующей.

Кнопка А = Включение/выключение вытяжки. Прибор включается на 1-ой скорости.

Кнопка В = Уменьшает скорость двигателя.

Дисплей С = Указывает выбранную скорость двигателя и активацию таймера/интенсивной скорости/сигнализации фильтров.

Кнопка D = Увеличивает скорость двигателя.

При нажатии на кнопку при включенной четвертой скорости включается интенсивная скорость на 6 минут, после чего прибор возобновляет работу на скорости, которая была установлена на момент активации. Во время этой функции на дисплее мигает цифра 4.

- Если требуется дезактивировать эту функцию до истечения 6 минут, нажать кнопку **В**.

Внимание! Некоторые модели работают до 3-ей скорости, поэтому функция интенсивной скорости не предусмотрена.

Кнопка Е = Когда включена любая из скоростей 1-2-3 (за исключением скор. Интенсивная 4) при нажатии на кнопку активируется функция Таймера. Когда активирована функция Таймера, на дисплее должна мигать скорость, установленная на момент активации таймера.

Через 15 минут после истечения заданного времени вытяжка выключается (двигатель и возможная включенная подсветка).

Если включена интенсивная скорость, нельзя активировать Таймер.

- Если требуется дезактивировать функцию до истечения 15 минут, нажать кнопку **Е**.

Кнопка F = Включение/выключение подсветки.

• **Загрязнение жирулавливающих фильтров/фильтров на активированном угле**

- Через **30 ч.** работы, когда на дисплее **С** попеременно мигают рабочая скорость и буква **F** (напр. **2** и **F**), это означает, что необходимо промыть **жирулавливающие фильтры**.

- Через **120 ч.** работы, когда на дисплее **С** попеременно мигают рабочая скорость и буква **C/F** (напр. **2** и **C/F**), это означает, что необходимо промыть или заменить фильтры с активированным углем.

- После установки чистого фильтра на место необходимо сбросить электронную память при включенной вытяжке нажатием кнопки **В** с удержанием около **3 сек.**

По истечении этого времени на дисплее появится буква **Е** (подтверждение выполненного сброса), а вытяжка выключится.

ФИРМА НЕ НЕСЕТ НИКАКОЙ ОТВЕТСТВЕННОСТИ ЗА УЩЕРБ, ВЫЗВАННЫЙ НЕСОБЛЮДЕНИЕМ ВЫШЕПРИВЕДЕННЫХ ПРЕДУПРЕЖДЕНИЙ.

OBSERVERA

Läs igenom denna bruksanvisning noggrant, eftersom den innehåller viktiga anvisningar beträffande säkerheten vid installation, användning och underhåll. Förvara bruksanvisningen för framtida bruk. Apparaten har utarbetats för att användas med frånluftsdrift (med luftutblås utomhus - Fig.1B) och med kolfilterdrift (återcirkulation av luften till omgivningen - Fig.1A) eller med extern motor (Fig.1C).

SÄKERHETSFORESKRIFTER

1. Var uppmärksam om utsugningskåpan fungerar samtidigt som en brännare eller eldhärd som är beroende av omgivningsluften i rummet och som drivs med annan typ av energi än elektrisk energi, eftersom utsugningskåpan suger upp luft från rummet som brännaren eller eldhärden är i behov av för sin förbränningsprocess. Undertrycket i lokalen får inte överskrida 4 Pa (4×10^{-5} bar). För att garantera säkerheten rekommenderas därför en god ventilation av lokalen. Vad beträffar det utvärdiga utsläppet skall de i det aktuella landet gällande normerna och föreskrifterna respekteras.

Innan apparaten kopplas till elnätet:

- Kontrollera typskylten (på insidan av apparaten) och försäkra dig om att spänning och effekt motsvarar elnätets och att stickkontakten passar. Rådfråga kunnig eltekniker, om du är tveksam.

- Om nätkabeln är skadad ska den bytas ut mot en ny kabel eller en specialsats som tillhandahålls av tillverkaren eller dess tekniska servicetjänst.

- Anslut strömförsörjningsaggregatet via en stickkontakt med en säkring på 3A eller till tvåfasanslutningens två trådar som ska skyddas av en säkring på 3A.

2. Observera!

I vissa situationer kan elektrisk utrustning utgöra en fara.

A) Kåpan ska inte vara i drift när filtrens skick kontrolleras.

B) Vidrör inte glödlampor eller områden runt dessa direkt efter längre tids användning av belysningen.

C) Det är förbjudet att tillaga flamberade rätter under kåpan.

D) Undvik fria lågor. Dessa kan skada filtren och försorsaka brand.

E) Vid fritering ska tillagningen hållas under konstant uppsikt för att förhindra att oljan tar eld.

F) Koppla från kontakten från stickkontakten innan underhållsmoment utförs.

G) Utrustningen är inte avsedd att användas av barn eller oförmögna personer, utan uppsikt av en vuxen.

H) Kontrollera att barn inte leker med utrustningen.

I) När kåpan används samtidigt med utrustning som bränner gas eller andra bränslen, ska lokalen ha en god ventilation.

L) Om rengöringsmomenten inte utförs med respekt för anvisningarna finns det risk för att brand uppstår.

Den här apparaten överensstämmer med europadirektivet 2002/96/EG, Waste Electrical and Electronic Equipment (WEEE).

Genom att försäkra sig om att den här produkten eliminerar på rätt sätt, bidrar användaren till att förebygga eventuella negativa följdriker för miljö och hälsa.



Symbolen på produkten eller på bifogad dokumentation indikerar att den här produkten inte ska behandlas om hushållsavfall utan ska överlämnas till lämplig avfallsstation för återvinning av elektriska och elektroniska apparater. Kassera enligt gällande lokala normer för avfallshandling. För ytterligare information om hantering och återvinning av produkten, kontakta det lokala kontoret, uppsamlingsstation för hushållsavfall eller affären där produkten inhandlats.

INSTALLATIONS INSTRUKTIONER

• **Ltgärder för montering och elanslutning måste utföras av kunnig personal.**

• **Sätt på dig skyddshandskar innan du påbörjar monteringsförfarandet.**

• Elanslutning:

Obs! Kontrollera märkskylten som sitter inuti utrustningen:

- Om symbolen anges på märkskylten innebär detta att utrustningen inte ska jordanslutas. Följ därför anvisningarna i isolationsklass II.

- Om symbolen INTE anges på märkskylten ska anvisningarna i isolationsklass I följas.

Isoleringsklass II

- Apparaten är av typklass II, och inga kablar skall därför jordanslutas.

Stickkontakten ska vara lättåtkomlig efter att utrustningen har installerats.

Om utrustningens nätkabel saknar stickkontakt, är det nödvändigt att installera en flerpolig brytare mellan utrustningen och elnätet. Brytaren ska ha en min. öppning mellan kontaktarna på 3 mm, vara dimensionerad för belastningen och uppfylla gällande lagstiftning.

- Nätanslutningen skall utföras på följande sätt:

BRUN = L fas
BLÅ = N nolla.

Isoleringsklass I

Denna utrustning är konstruerad i enlighet med klass I, och ska därför anslutas till en jordad kontakt.

- Anslutningen till elnätet ska göras på följande sätt:

BRUN = L-linje
BLÅ = N-nolla
GULGRÖN = jord.

Nollkabeln ska anslutas till klämman med N-symbolen, medan den **GULGRÖNA** kabeln ska anslutas till klämman intill jordsymbolen .

Vid elektrisk anslutning, se till att strömuttaget har jordanslutning. När utsugningskåpan har monterats, se till att kontakten för nätanslutningen sitter i ett lättåtkomligt läge. Vid direkt anslutning till elnätet är det nödvändigt att installera en flerpolig brytare mellan utrustningen och elnätet. Brytaren ska ha en min. öppning mellan kontaktarna på 3 mm, vara dimensionerad för belastningen och uppfylla gällande lagstiftning.

- Det minimala avståndet mellan kokkärlens underlag på kokhällen och spisfläktens nedre del måste vara minst **45 cm**. I det fall ett anslutningsrör används som består av två eller flera delar, måste den övre av delarna träs utanpå den undre delen. Anslut inte kåpans utloppsrör till luftkanaler i vilka varmluft cirkulerar, eller kanaler som används för att evakuera rök från apparater som drivs med annan typ av energi än elektrisk energi.

- Om apparaten ska monteras med utsguningversion ska hål för luftuttömning anordnas.

- Det rekommenderas att använda ett ventilationsrör med samma diameter som öppningen för luftutgången. Om ett reducerstycke används försämrats utrustningens kapacitet och bullernivån ökas.

Varning!

- Innan ni påbörjar monteringen bör ni för en enklare hantering av fläktkåpan utföra följande moment:

1. Ta loss **fettfiltret** genom att dra i handtaget såsom figur 2 visar - steg 1.

2. Om produkten är försedd med **aktiva kolfilter (B-C)** ska ni ta loss dessa såsom figur 2 visar - steg 2B-2C.

3. Haka av **kapseln M** såsom figur 2 visar - steg 4.

• Fastsättning på väggen (Fig.3):

Märk kåpans nedre sida på väggen (tänk på minsta avstånd från kokplattan) figur 3 - steg 1.

- Placera fastsättningsmallen på väggen. Se till att linjen överensstämmer med linjen som du har markerat i föregående punkt.

- Märk ut och gör 4 hål för fäste figur 3 - steg 2.

- Fäst de 4 expansionspluggarna och de 2 skruvarna **A-B** utan att dra åt dem helt figur 3 - steg 2.

- Placera spiskåpan vid väggen och blockera den definitivt genom att dra åt de två skruvarna **B** figur 3 - steg 3-4 och säkerhetsskruvarna **B** figur 3 - steg 5.

- Använd expansionskruvar och pluggar av lämplig typ för väggen vid de olika monteringsmomenten (t.ex. betong, gips o.s.v.).

Om skruvarna och pluggarna bifogas produkten, se till att de är av lämplig typ för väggen där kåpan ska sättas upp.

• Fastsättning på väggen TILLVAL (Fig.4):

Denna typ av kåpa kan ha justerfästen som tillval som du kan fråga efter hos din återförsäljare.

Märk kåpans nedre sida på väggen (tänk på minsta avstånd från kokplattan) figur 3 - steg 1.

- Placera fastsättningsmallen på väggen. Se till att linjen överensstämmer med linjen som du har markerat i föregående punkt.

- Märk ut och gör 4 hål för fäste figur 3 - steg 2.

- Ta de två justerfästena **C** och fäst dem på kåpans stöd med skruvarna **D** såsom visas i figur 4 - fas 1. Se till att de 2 justerskruvarna **D** inte är åtdragna.

- Ta apparaten och häng upp den på de två skruvarna **B** figur 4 - fas 2.

- Rikta in apparaten i horisontalt läge genom att verka på de två justerskruvarna **D** figur 4 - fas 3.

- Efter utförd justering ska du dra åt de 2 skruvarna **B** figur 4 - fas 4 och fästa kåpan permanent på väggen med de två säkerhetsskruvarna **B** figur 4 - fas 5.

- Använd expansionskruvar och pluggar av lämplig typ för

väggen vid de olika monteringsmomenten (t.ex. betong, gips o.s.v.).

Om skruvarna och pluggarna bifogas produkten, se till att de är av lämplig typ för väggen där kåpan ska sättas upp.

• Version med kolfilterdrift:

- Haka loss kupolen **M** och ta bort gallret **E** (Fig.5).

- För in matarkabeln i hålet i kupolen **M** som visas i Fig.6.

- Placera kabelgenomföringen **H** mellan elkabeln och slitsöppningen.

- Sätt tillbaka kapseln **M** med gallret **E** och var samtidigt noga med att kapseln hakas fast ordentligt på fäststiften **G** (Fig.6). Filtren måste sättas på plats i fläktenheten inuti kåpan och skall vridas i 90 grader till stoppläge (Fig.10B).

• Tillval:

Denna kåpmodell kan ha skorstensåpor som tillval. Dessa kan beställas från återförsäljaren.

Innan dekorationsrören installeras är det nödvändigt att ta bort kupolen och skruva loss de 4 skruvarna **B** som håller fast spärrarna **G** så som visas i Fig.7.

• Installation för modeller med dekorationsrör:

- Version med utsgunnsdrift

Förbered strömtillförseln inom utrymmet som upptas av dekorationsröret.

Anslut flänsen **F** till luftutsläppet med hjälp av en slang **L** (Fig.7). Justera bredden på det övre dekorationsrörets stödbygel (Fig.8).

Fäst det därefter på väggen, på så sätt att det ställs axiellt till fläkten, med skruvarna **A** och genom att respektera avståndet som anges i Fig.8.

Sätt i den övre dekorativa rökgången i den undre dekorativa rökgången och ställ dem båda ovanpå fläktkåpan (Fig.9).

Drag upp det övre dekorationsröret tills det når bygeln och fäst det med skruvarna **B** (Fig.8).

För att modifiera spiskåpan från insugande version till filterrande version ska du beställa kolfilter från din återförsäljare och följ sedan monteringsanvisningarna.

• Filterrande version:

Observera!

- Beställ filtren med aktivt kol som tillbehör hos din återförsäljare för att omvandla kåpan från **INSUGANDE** version till **FILTERANDE**. Vi tillhandahåller 3 olika satser, en med laddkolfilter (Fig.10B) och en med kolfilter som kan återställas (rengöras) (Fig.10C - Fig.10D).

- Beroende på vilken modell ni har, ska de **CIRKULÄRA** filtren med aktivt kol monteras i sugenheten som sitter inuti köksfläkten och centeras i denna och vridas 90 grader fram till stoppläget (Fig.10B). Utför momentet i omvänd ordning vid byte av filter.

- För regenerativt filter med aktivt kol som går att **RENGÖRA** (Fig.10C), ska monteringsanvisningarna **KITET** följas.

- För regenererbara aktiva **TVÄTTBARA RUNDA** kolfilter (Fig. 10D), ta bort fiberduken och följ instruktionerna i avsnittet **ANVÄNDNING OCH UNDERHÅLL**, "regenererbara aktiva kolfilter".

ANVÄNDNING OCH UNDERHÅLL

- Det rekommenderas att starta utrustningen innan någon typ av livsmedel tillagas. Vi rekommenderar att du låter apparaten gå i 15 minuter efter att matlagningen avslutats, så att

matoset helt sugt ut. Kåpan ska underhållas regelbundet och på ett korrekt sätt för att fungera på bästa sätt. Detta gäller i synnerhet avfettningsfiltret och filtret med aktivt kol.

• **Avfettningsfiltret** har till uppgift att stoppa fettpartiklarna som finns i luften. Detta filter sätts igen efter en viss tid, beroende på hur mycket utrustningen används.

- För att undvika risk för brand är det nödvändigt att tvätta avfettningsfiltret för hand med flytande neutralt icke-polerande diskmedel eller i diskmaskin på låg temperatur och med kort program minst en gång varannan månad.

- Efter några tvättar kan filtren ändra färg lite. Detta ger inte rätt till reklamation för eventuell ersättning av dem.

• **De aktiva kolfiltren** används för att rena luften som återcirkuleras till rummet och har som funktion att mildra de otrevliga lukter som genereras av matlagning.

- Engångskolfiltren bör bytas ut minst var 4:e månad. Det aktiva kolets mätnad beror på hur mycket apparaten har använts, på typen av kök samt på hur ofta avfettningsfiltret rengörs.

- De återanvändbara aktivt kolfiltren bör diskas för hand med neutralt icke-polerande diskmedel, eller i diskmaskin med en högsta temperatur på 65° C (tvättprogrammet måste göras utan annan disk). Ta bort överflödigt vatten utan att skada filtret, ta bort plastdelarna och torka den lilla dynan i ugnen i minst 15 minuter vid en temperatur på max 100° C. För att behålla det återanvändbara aktiva kolfiltrets effektiva funktion ska denna handling upprepas varannan månad. Dessa måste bytas ut minst vart tredje år eller när den lilla dynan är skadad.

• **Innan du sätter tillbaka avfettningsfiltren och de återanvändbara aktiva kolfiltren är det viktigt att dessa har torkat ordentligt.**

• **Rengöra kåpan regelbundet både på insidan och utsidan med en trasa fuktad med denaturerad sprit eller milt flytande rengöringsmedel som inte slipar.**

• Belysningen är avsedd att endast vara tänd under tillagningen och inte för att lysa upp rummet i allmänhet under en längre tid. Om belysningen är tänd under en längre tid förkortas lampornas livslängd betydligt.

• Om apparaten är försedd med innerbelysning kan denna användas som allmän rumsbelysning under längre tid.

• **Viktigt!** Att ignorera anvisningarna om rengöring av kåpan samt om byte och rengöring av filtren medför brandrisk. Det rekommenderas därför att man följer dessa instruktioner.

• **Byta halogenlampor (Fig.11A):**

För att byta halogenlamporna **B**, bänd upp glaset **C** i springorna. Byt ut mot lampor av samma typ.

OBS! Ta inte i lampan med bara händer.

• **Byte av LED-lamporna (Fig.11B):**

Om din apparat är försedd med **LED**-lampor är det nödvändigt att kontakta en specialiserad tekniker när de behöver bytas ut.

• **Manöverfunktioner (Fig.12):**

Tangent A = Slår på/Av belysningen.

Tangent B = Slår på/Av kåpan. Apparaten startar med den lägsta hastigheten. Om kåpan fungerar skall tangenten tryckas in halv sekund för att slå av den. Om kåpan fungerar med den lägsta hastigheten behöver man inte hålla tangenten intryckt för att stänga av den. Minskar motorns hastighet.

Display C = Anger den valda motorhastigheten och aktiveringen av timern.

Tangent D = Slår på kåpan. Ökar motorns hastighet. Om tangenten för den tredje hastigheten trycks in startar den

intensiva hastigheten under 6 sekunder för att sedan återgå till den arbetshastighet som var aktiv före ingreppet. Displayen blinkar under denna funktion.

Tangent E = I Timer ställer in funktionstiderna vid aktiveringen på 15 minuter, varefter de stängs av. Avaktivera timern genom att trycka på knapp **E**. När funktionen Timer är aktiv på displayen ska decimalpunkten blinka. Om hastighetens intensivläge är i funktion kan timern inte aktiveras.

Genom att trycka på knapp **E** i 2 sekunder, när apparaten är avstängd, så aktiveras funktionen "clean air". Denna tänder motorn i 10 minuter varje timme på första hastigheten. Under funktion ska displaya visa de perifer segmentens rotation. När denna tid gått ut släcks motorn och displayen visar den lysande bokstaven "C" tills motorn efter ytterligare 50 minuter startar igen och går i 10 minuter igen och så vidare. Tryck på vilken knapp som helst utom ljusknappen för att återgå till normalt funktionssätt. Tryck på knappen **E** för att avaktivera funktionen.

• **Orena fettfilter/aktivt kolfilter:**

- När displayen **C** blinkar och visar omväxlande driftshastigheten och bokstaven **F** (t.ex. **1** och **F**) ska fettfiltren rengöras.

- När displayen **C** blinkar och visar omväxlande driftshastigheten och bokstaven **A** (t.ex. **1** och **A**) ska de aktiva kolfiltren rengöras eller bytas beroende på typen av filter.

När det rena filtret har satts tillbaka, ska det elektroniska minnet nollställas genom att trycka ned knappen **A** i cirka **5 sek** tills signalerna **F** eller **A** slutar att blinka på displayen **C**.

- Om skärmen **C** inte slutar blinka, ska momentet upprepas med motorn igång.

• **Manöverfunktioner (Fig.13):**

ANMÄRKNING: med detta kommando kan du även styra enheten med en fjärrkontroll, som kan begäras som tillbehör.

Knapp A = Slår på/av huvudet. Apparaten slås på vid 1:a hastighetsnivån.

Knapp B = Sänker hastigheten på motorn.

Display C = Anger den valda motorns hastighet och aktiverar timer/hastighet intensiv/signaler filter.

Knapp D = Ökar motorns hastighet.

Genom att trycka på knappen för den 4:e hastighetsnivån, införs den intensiva funktionen under 6 minuter, därefter återgår apparaten till sin driftshastighet vid tiden för aktivering. Under denna funktion blinkar nummer 4 på displayen.

- För att aktivera funktionen innan de 6 minuterna, tryck på knappen **B**.

Viktigt! Vissa modeller arbetar upp till den 3:e hastighetsnivån, därför tillhandahålls inte den intensiva funktionen.

Knapp E = Med varje hastighetsnivå inställd 1-2-3 (exklusive hast. Intensiv 4), genom att trycka på knappen aktiveras funktionen Timer. När funktionen Timer är aktiv på displayen, måste den inställda hastigheten blinka under aktiveringen av timern.

Efter 15 minuter, vid slutet av räkningen, stängs huven av (motor och eventuellt tända lampor).

Om den intensiva hastigheten är i funktion, kan Timern inte aktiveras.

-Om man vill inaktivera funktionen innan de 15 minuterna, tryck på knappen **E**.

Knapp F = Slår på/av lamporna.

• **Mätning filter antifett/kol aktiv:**

- Efter **30 driftstimmar** när displayen **C** blinkar och alternerar

driftshastigheten med bokstaven **F** (ex. **2** och **F**), vilket innebär att man måste rengöra **antifett filtren**.

- Efter **120 driftstimmar** när displayen **C** blinkar och alternerar driftshastigheten med bokstaven **C/F** (ex. **2** och **C/F**), vilket innebär att man måste rengöra eller byta ut i **kolfiltren**.

- När det rena filtret har återplacerats, måste man återställa det elektroniska minnet med huven påslagen, genom att trycka på knappen **B** i ungefär **3 sekunder**.

När tiden passerat visas bokstaven **E** på displayen (bekräftelse på genomförd återställning), och huven stängs av.

TILLVERKAREN FRÅNSÄGER SIG ALLT ANSVAR FÖR EVENTUELLA SKADOR SOM ORSAKTS P.G.A. ATT OVANSTÅENDE INSTRUKTIONER INTE RESPEKTERATS.

Notes



3LIK1850