

## TRIM

### Version

Wall 90 - Customizable

### Collection

Design

### EAN code

8034122357461

## FEATURES

**Scotch brite stainless steel (AISI 304)**

**LED ambient light**

**Available for customizable panel**

**Ceramic (customizable) frontal panel**

## TECHNICAL FEATURES

### Installation type

Wall

### Dimensions

90 cm

### Motor

800 m<sup>3</sup>/h

### Type of control

Electronic control

### Speed settings

4

### Lighting

Led 4x1,2 W - 3200 K

### Ambient lighting

Led 2x1,2 W - 3200 K

### Charcoal filter

Round charcoal filter Ø170 mm - Type 6

### Minimum distance

Gas hob: 53 cm

Electric hob: 53 cm

## PACKAGING: WEIGHTS AND VOLUMES

### Net weight

0 kg

### Volume

0,00 m<sup>3</sup>

### Packaging size

Length

0 mm

Height

0 mm

Depth

0 mm

## CONSUMPTION AND CONNECTION FEATURES

### Maximum consumption

280 W

### Current

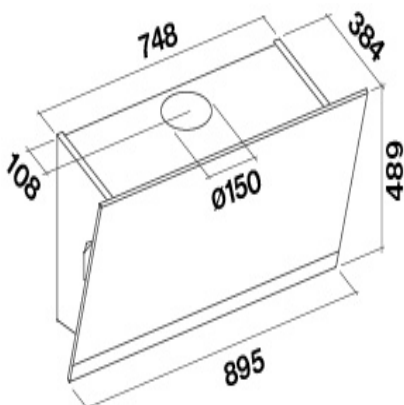
220-240V

### Frequency

50-60Hz

### ENERGY CLASS

A



## TRIM

### Version

Wall 90 - Customizable

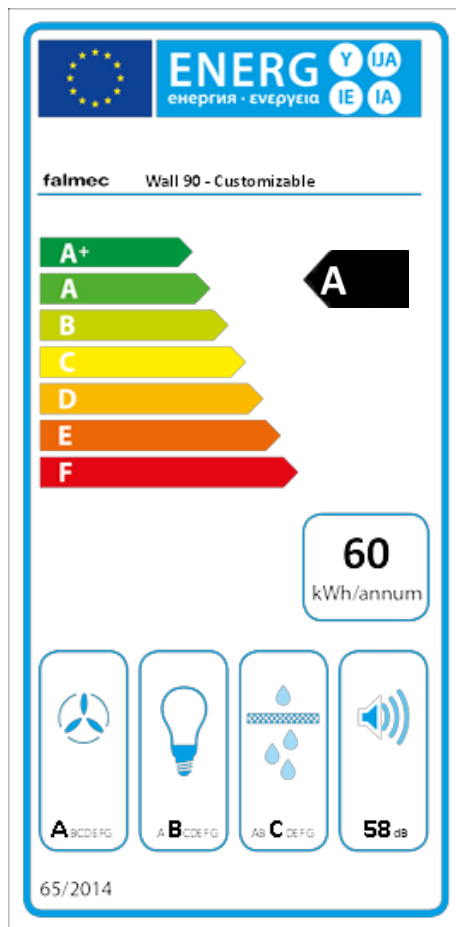
### Collection

Design

### EAN code

8034122357461

## ENERGY LABEL



PF		
<b>S</b>	Falmec Spa	
<b>M</b>	Wall 90 - Customizable	
<b>AEC</b>	60,4	kWh/a
<b>ECC</b>	A	
<b>FDE</b>	29,8	
<b>FDEC</b>	A	
<b>LE</b>	26,9	
<b>LEC</b>	B	
<b>GFE</b>	82,0	
<b>GFEC</b>	C	
<b>Qmin</b>	295,0	m <sup>3</sup> /h
<b>Qmax</b>	500,0	m <sup>3</sup> /h
<b>Qboost</b>	750,0	m <sup>3</sup> /h
<b>SPEmin</b>	46	dBa
<b>SPEmax</b>	58	dBa
<b>SPEboost</b>	66	dBa
<b>PO</b>	-	W
<b>PS</b>	0,48	W
PI		
<b>F</b>	0,9	
<b>EEI</b>	54,7	
<b>Qbep</b>	432,0	m <sup>3</sup> /h
<b>Pbep</b>	407	Pa
<b>Qboost</b>	750,0	m <sup>3</sup> /h
<b>Wbep</b>	164,0	W
<b>WL</b>	9,00	W
<b>Emiddle</b>	242	lux
<b>Lwa-SPEmax</b>	58	dBa

**PF\_Product fiche according to 65/2014** S\_Supplier name / M\_Model identification / AEC\_Annual Energy Consumption (AEC hood) / EEC\_Energy Efficiency class / FDE\_Fluid Dynamic Efficiency (FDE hood) / FDEC\_Fluid Dynamic Efficiency class / LE\_Lighting Efficiency (LE hood) / LEC\_Lighting Efficiency class / GFE\_Grease Filtering Efficiency / GFEC\_Grease Filtering Efficiency class / Qmin\_Air flow (in m<sup>3</sup>/h) at min speed in normal use / Qmax\_Air flow (in m<sup>3</sup>/h) at max speed in normal use / Qboost\_Air flow (in m<sup>3</sup>/h) at intensive or boost setting (max air-flow) / SPEmin\_Airborne acoustical A-weighted sound power emissions at min speed in normal use / SPEmax\_Airborne acoustical A-weighted sound power emissions at max speed in normal use / SPEboost\_Airborne acoustical A-weighted sound power emissions (in dB) at intensive or boost setting / PO\_Power consumption in off mode (Po) / Ps\_Power consumption in stand by mode (Ps). **PI\_Additional information according to 66/2014** F\_Time increase factor / EEI\_Energy Efficiency Index / Qbep\_Measured air flow rate at best efficiency point / Pbep\_Measured air pressure at best efficiency point / Qboost\_Maximum air flow / Wbep\_Measured electric power input at best efficiency point / WL\_Nominal power of the lighting system / Emiddle\_Average illumination of the lighting system on the cooking surface / Lwa=SPEmax\_Sound pressure level at the highest speed.